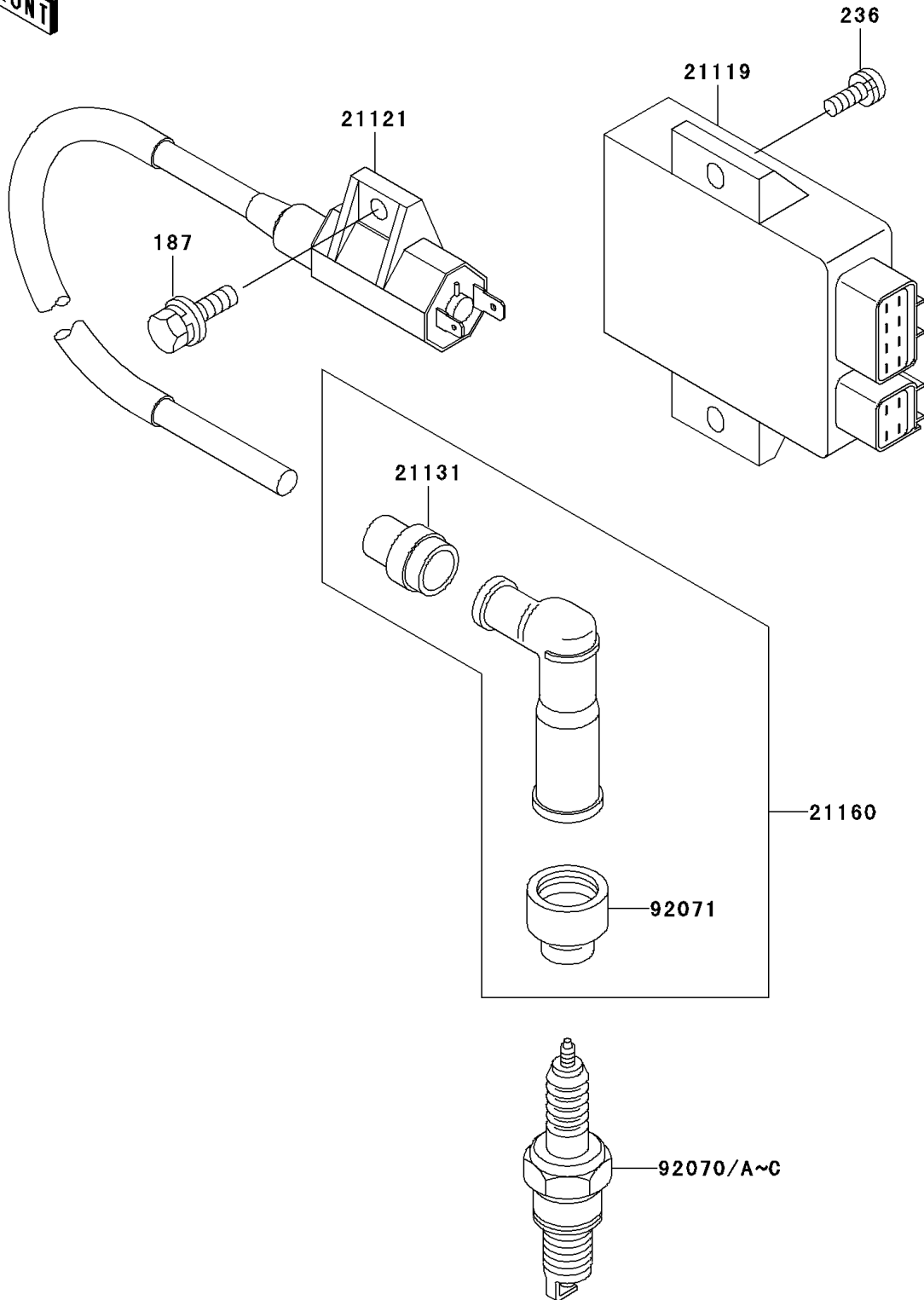


# 2006 Eliminator 125 PARTS DIAGRAM

Ignition System

E1830



## 2006 Eliminator 125 PARTS LIST

### Ignition System

ITEM NAME	PART NUMBER	QUANTITY
BOLT-UPSET-WSP,6X20 (Ref # 187)	187AA0620	1
SCREW-PAN-WSP-CROS,6X16 (Ref # 236)	236AA0616	2
IGNITER (Ref # 21119)	21119-1562	1
COIL-IGNITION (Ref # 21121)	21121-1229	1
GROMMET,HIGH TENSION (Ref # 21131)	21131-005	1
CAP-ASSY-PLUG (Ref # 21160)	21160-1062	1
PLUG-SPARK,CR8E(NGK) (Ref # 92070)	92070-0019	AR
PLUG-SPARK,U24ESR-N(ND) (Ref # 92070A)		AR
PLUG-SPARK,CR7E(NGK) (Ref # 92070B)	92070-1209	1
PLUG-SPARK,U22ESR-N(ND) (Ref # 92070C)		1
GROMMET,PLUG CAP (Ref # 92071)	92071-1124	1