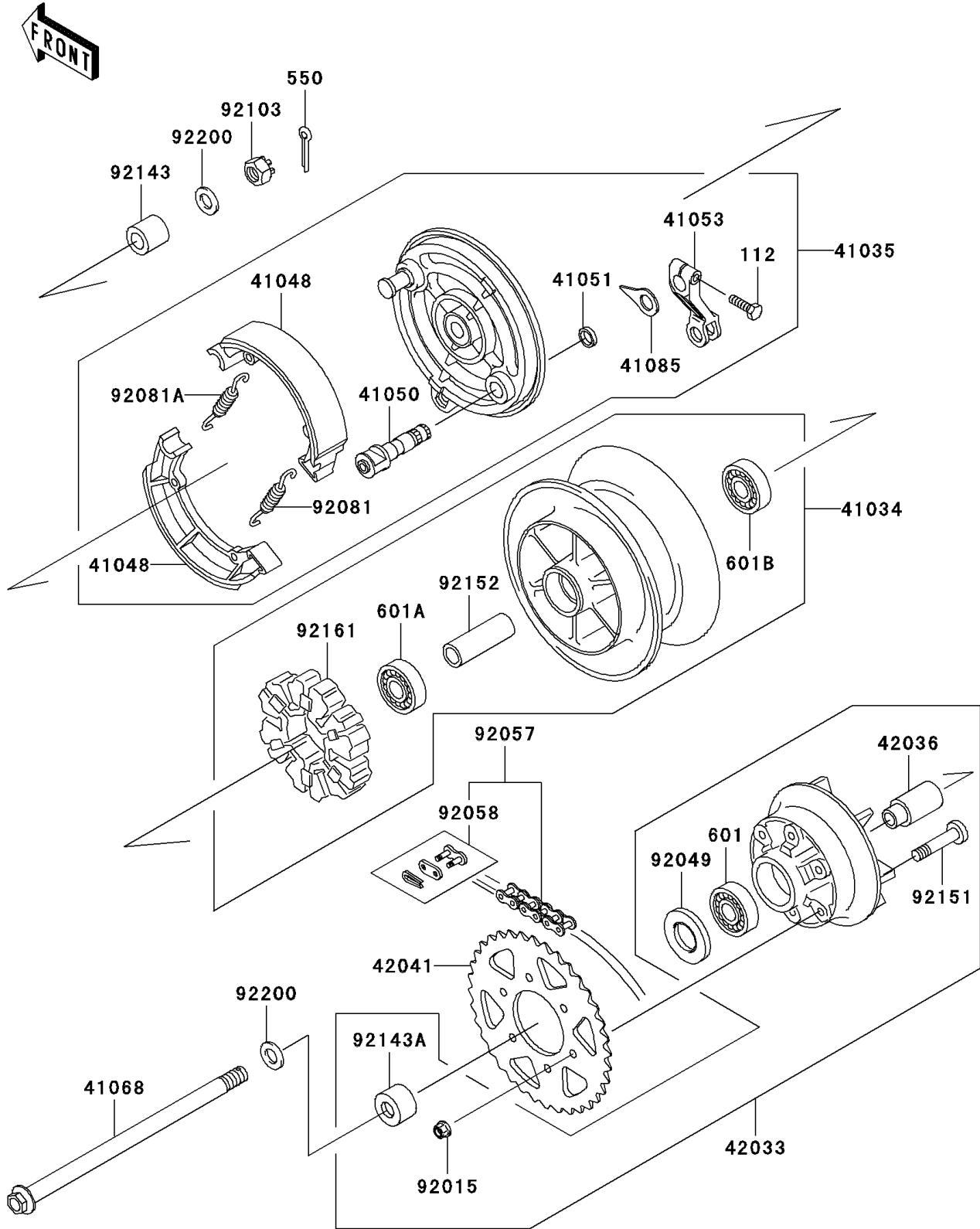


2009 Eliminator® 125 PARTS DIAGRAM

Rear Wheel/Chain

F2240



2009 Eliminator® 125 PARTS LIST

Rear Wheel/Chain

ITEM NAME	PART NUMBER	QUANTITY
BOLT-UPSET,6X22 (Ref # 112)	112CA0622	1
PIN-COTTER,4X35 (Ref # 550)	550S4035	1
BEARING-BALL,#6004UUC3 (Ref # 601)	601B6004UU	1
BEARING-BALL (Ref # 601A)	601B6202UU	1
BEARING-BALL,#6302UU (Ref # 601B)	601B6302UU	1
DRUM-ASSY,REAR BRAKE (Ref # 41034)	41034-1318	1
PANEL-ASSY-BRAKE,RR (Ref # 41035)	41035-0007	1
SHOE-BRAKE (Ref # 41048)	41048-1076	2
CAM-BRAKE (Ref # 41050)	41050-0004	1
SEAL,BRAKE CAM (Ref # 41051)	41051-001	1
LEVER-BRAKE CAM (Ref # 41053)	41053-0001	1
AXLE,RR (Ref # 41068)	41068-1392	1
INDICATOR (Ref # 41085)	41085-0002	1
COUPLING-ASSY,RR HUB (Ref # 42033)	42033-1202	1
SLEEVE,RR HUB COUPLING (Ref # 42036)	42036-030	1
SPROCKET-HUB,46T (Ref # 42041)	42041-1534	1
NUT,8MM (Ref # 92015)	92015-1432	6
SEAL-OIL,KCY26X42X8 (Ref # 92049)	92049-1487	1
CHAIN,DRIVE,132L (Ref # 92057)	92057-1485	1
JOINT-CHAIN,DRIVE (Ref # 92058)	92058-1080	1
SPRING,BRAKE SHOE (Ref # 92081)	92081-1550	1
SPRING,BRAKE SHOE (Ref # 92081A)	92081-1766	1
NUT,CASTLE,14MM (Ref # 92103)	92103-006	1
COLLAR,RR AXLE,L=34.5 (Ref # 92143)	92143-1950	1
COLLAR,RR HUB COUPLING,L=20 (Ref # 92143A)	92143-1951	1
BOLT,8X41 (Ref # 92151)	92151-1320	6
COLLAR,REAR BRAKE DRUM,L=100 (Ref # 92152)	92152-1289	1
DAMPER,REAR HUB SHOCK (Ref # 92161)	92161-1327	1
WASHER,15X30X3.2 (Ref # 92200)	92200-1366	2