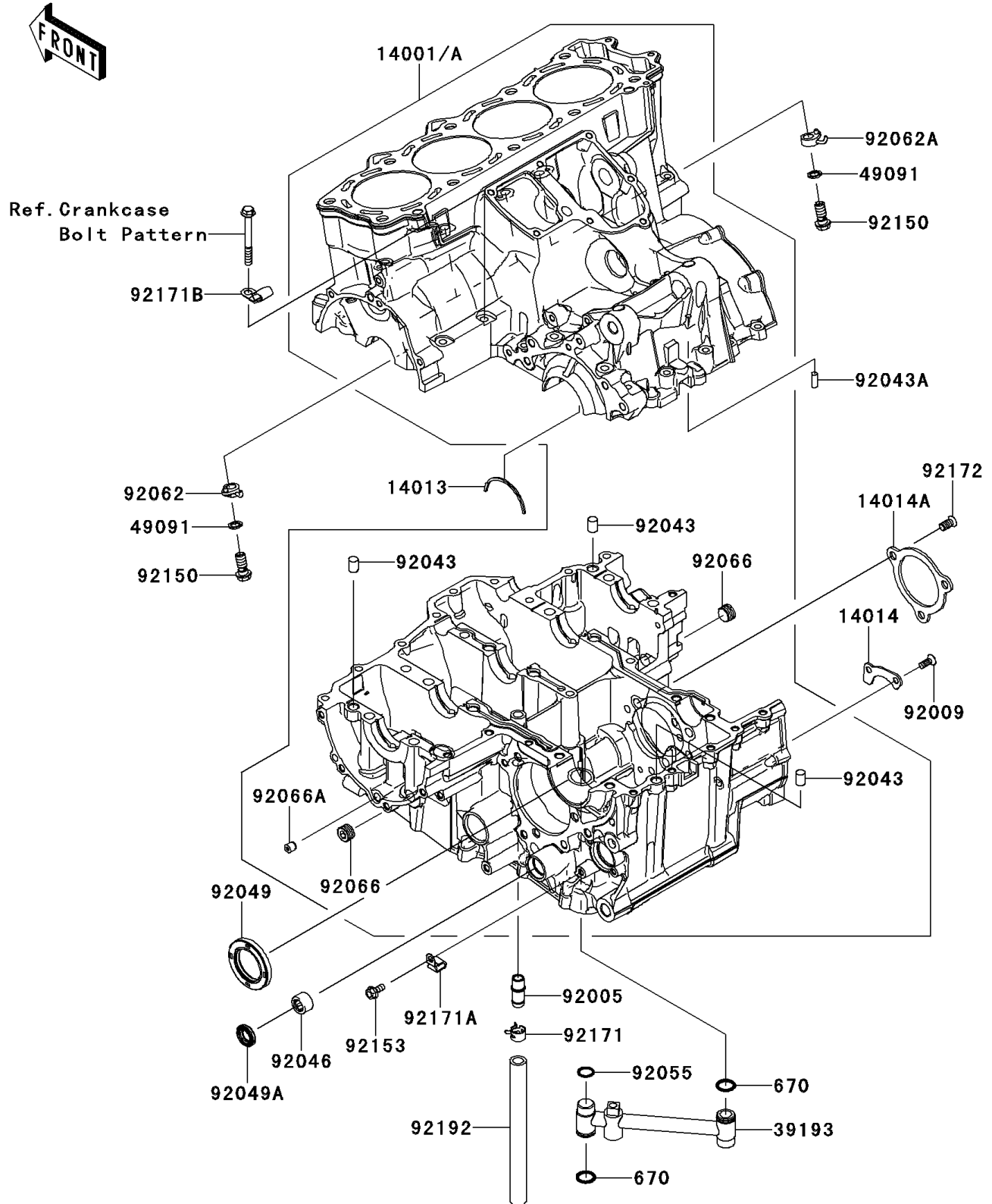


2014 NINJA® ZX™ -14R ABS PARTS DIAGRAM

Crankcase

E1411



2014 NINJA® ZX™ -14R ABS PARTS LIST

Crankcase

ITEM NAME	PART NUMBER	QUANTITY
O RING,16MM (Ref # 670)	670D2016	2
SET-CRANKCASE (Ref # 14001A)	14001-0618	1
RING-POSITION (Ref # 14013)	14013-1051	1
PLATE-POSITION (Ref # 14014)	14014-0023	1
PLATE-POSITION (Ref # 14014A)	14014-0038	1
PIPE-OIL (Ref # 39193)	39193-0576	1
WASHER-SEAL,10.1X14.5X1.5 (Ref # 49091)	49091-0001	4
FITTING (Ref # 92005)	92005-0043	1
SCREW,6X16 (Ref # 92009)	92009-1360	2
PIN,10X14 (Ref # 92043)	92043-1506	3
PIN,6X16 (Ref # 92043A)	92043-1690	1
BEARING-NEEDLE,HK1412FM (Ref # 92046)	92046-0043	1
SEAL-OIL,TC38 57 8 (Ref # 92049)	92049-0068	1
SEAL-OIL,TC14245 (Ref # 92049A)	92049-1520	1
RING-O,13.8X1.9 (Ref # 92055)	92055-0065	1
NOZZLE (Ref # 92062)	92062-0560	3
NOZZLE (Ref # 92062A)	92062-0561	1
PLUG (Ref # 92066)	92066-0064	2
PLUG (Ref # 92066A)	92066-0066	1
BOLT,BANJO,10X23 (Ref # 92150)	92150-1641	4
BOLT,FLANGED,6X14 (Ref # 92153)	92153-1571	1
CLAMP (Ref # 92171)	92171-0533	1
CLAMP (Ref # 92171A)	92171-0534	1
CLAMP (Ref # 92171B)	92171-0689	1
SCREW,CSK-CROS,8X16 (Ref # 92172)	92172-0323	3
TUBE,11X17X180 (Ref # 92192)	92192-0254	1