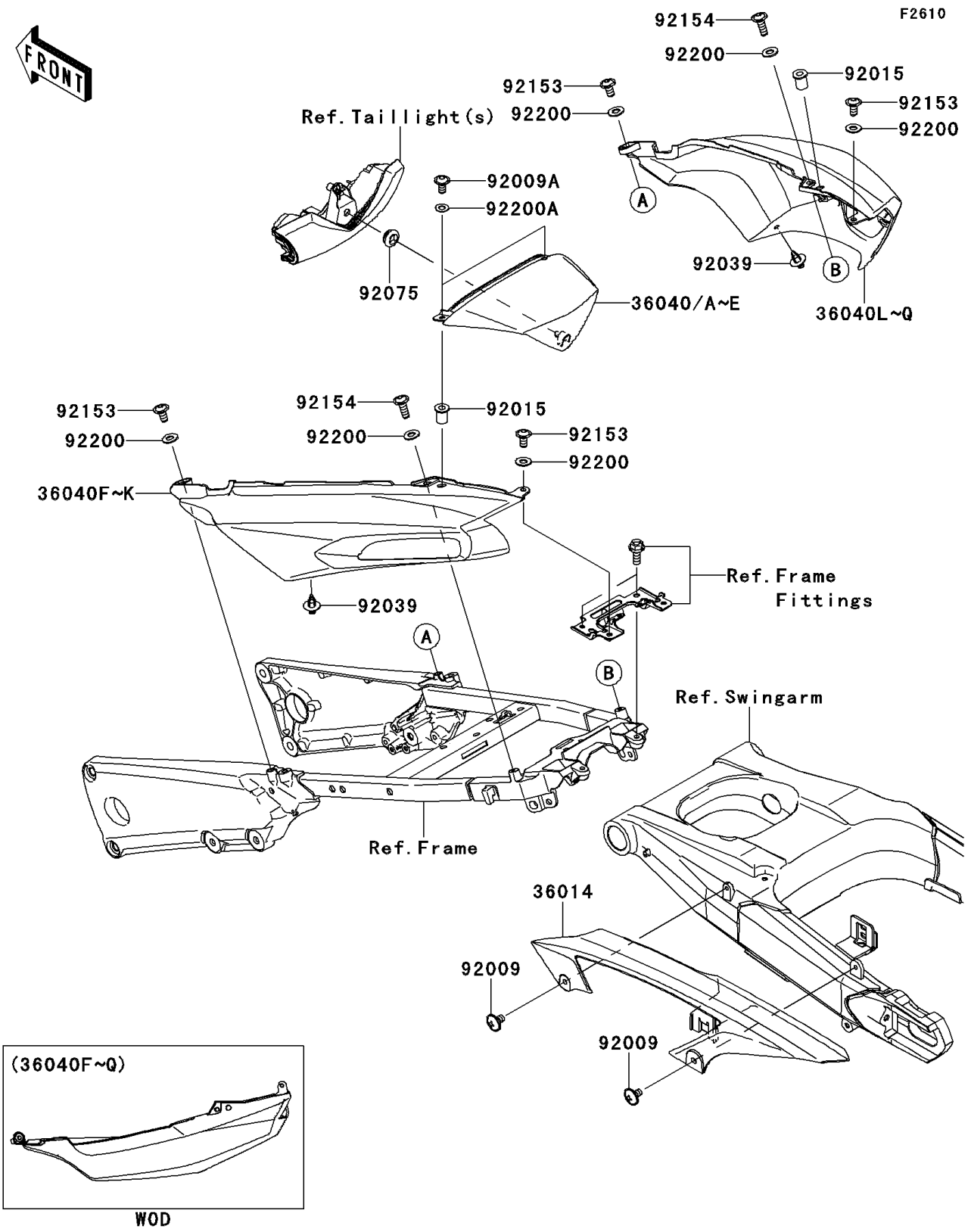


2013 NINJA® ZX™ -14R ABS PARTS DIAGRAM

Side Covers/Chain Cover



2013 NINJA® ZX™ -14R ABS PARTS LIST

Side Covers/Chain Cover

| ITEM NAME | PART NUMBER | QUANTITY |
|--|----------------|----------|
| CASE-CHAIN (Ref # 36014) | 36014-0030 | 1 |
| COVER-TAIL,CNT,P.RED (Ref # 36040A) | 36040-0058-234 | 1 |
| COVER-TAIL,LH,P.RED (Ref # 36040G) | 36040-0136-234 | 1 |
| COVER-TAIL,RH,P.RED (Ref # 36040M) | 36040-0137-234 | 1 |
| SCREW,6X10 (Ref # 92009) | 92009-1661 | 2 |
| SCREW,5X16 (Ref # 92009A) | 92009-1909 | 2 |
| NUT,WELL,5MM (Ref # 92015) | 92015-1757 | 2 |
| RIVET (Ref # 92039) | 92039-0015 | 2 |
| DAMPER (Ref # 92075) | 92075-1011 | 1 |
| BOLT,SOCKET,6X12 (Ref # 92153) | 92153-1617 | 4 |
| BOLT,SOCKET,6X18 (Ref # 92154) | 92154-0139 | 2 |
| WASHER,6.5X14X1 (Ref # 92200) | 92200-1388 | 6 |
| WASHER,NYLON,5.3X11.5X0.5 (Ref # 92200A) | 92200-1480 | 2 |
| COVER-TAIL,CNT,P.S.WHITE (Ref # 36040B) | 36040-0058-25Y | 1 |
| COVER-TAIL,LH,P.S.WHITE (Ref # 36040H) | 36040-0136-25Y | 1 |
| COVER-TAIL,RH,P.S.WHITE (Ref # 36040N) | 36040-0137-25Y | 1 |