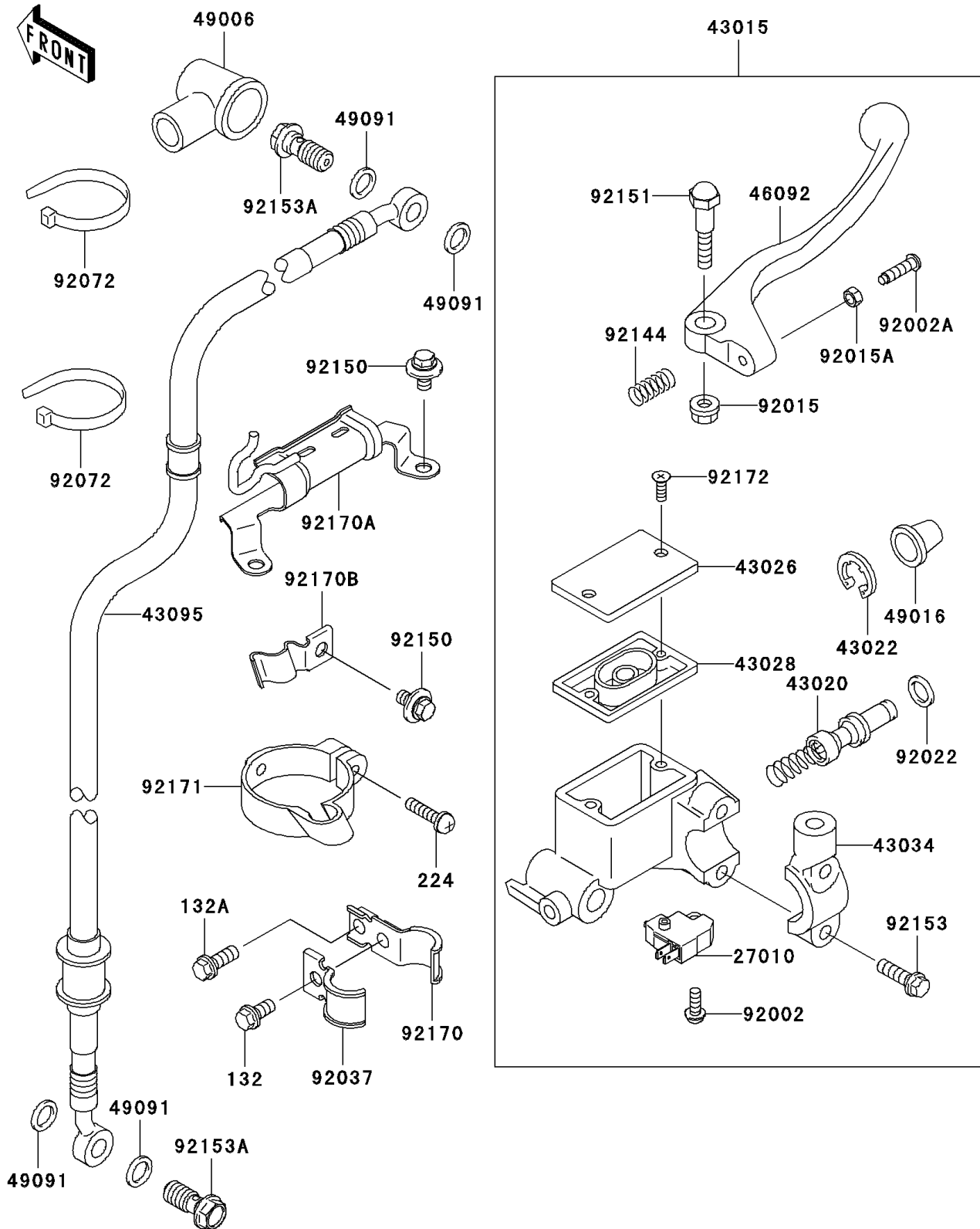


# 2010 Super Sherpa (Canada Only) PARTS DIAGRAM

Front Master Cylinder

F2291



## 2010 Super Sherpa (Canada Only) PARTS LIST

### Front Master Cylinder

ITEM NAME	PART NUMBER	QUANTITY
BOLT-FLANGED-SMALL,6X12 (Ref # 132)	132BB0612	1
BOLT-FLANGED-SMALL,6X16 (Ref # 132A)	132BB0616	1
SCREW-PAN-WP-CROS,5X20 (Ref # 224)	224AA0520	1
SWITCH,BRAKE (Ref # 27010)	27010-0025	1
CYLINDER-ASSY-MASTER,FR (Ref # 43015)	43015-0021	1
PISTON-COMP-BRAKE (Ref # 43020)	43020-1065	1
STOPPER-BRAKE,PISTON (Ref # 43022)	43022-1010	1
CAP-BRAKE (Ref # 43026)	43026-1081	1
DIAPHRAGM (Ref # 43028)	43028-1061	1
HOLDER-BRAKE,MASTER CYLINDER (Ref # 43034)	43034-1144	1
HOSE-BRAKE,FR (Ref # 43095)	43095-0161	1
LEVER-GRIP,FRONT BRAKE (Ref # 46092)	46092-1199	1
BOOT,DUST (Ref # 49006)	49006-1040	1
COVER-SEAL,MASTER CYLINDER (Ref # 49016)	49016-1044	1
WASHER-SEAL,10.1X14.5X1.5 (Ref # 49091)	49091-0001	4
BOLT,SCREW,4X12 (Ref # 92002)	92002-1323	1
BOLT,ADJUST (Ref # 92002A)	92002-1893	1
NUT,FLANGED,6MM (Ref # 92015)	92015-1528	1
NUT,ADJUST (Ref # 92015A)	92015-1642	1
WASHER (Ref # 92022)	92022-1814	1
CLAMP,HOSE (Ref # 92037)	92037-1898	1
BAND,L=202 (Ref # 92072)	92072-1195	2
SPRING,RETURN (Ref # 92144)	92144-1103	1
BOLT,6X12 (Ref # 92150)	92150-1435	3
BOLT,LEVER SET (Ref # 92151)	92151-1215	1
BOLT (Ref # 92153)	92153-0547	2
BOLT,OIL,L=23 (Ref # 92153A)	92153-0627	2
CLAMP,BRAKE HOSE (Ref # 92170)	92170-1749	1
CLAMP,BRAKE HOSE (Ref # 92170A)	92170-1778	1

## 2010 Super Sherpa (Canada Only) PARTS LIST

### Front Master Cylinder

ITEM NAME	PART NUMBER	QUANTITY
CLAMP,BRAKE HOSE (Ref # 92170B)	92170-1781	1
CLAMP,BRAKE HOSE (Ref # 92171)	92171-1079	1
SCREW (Ref # 92172)	92172-0083	2