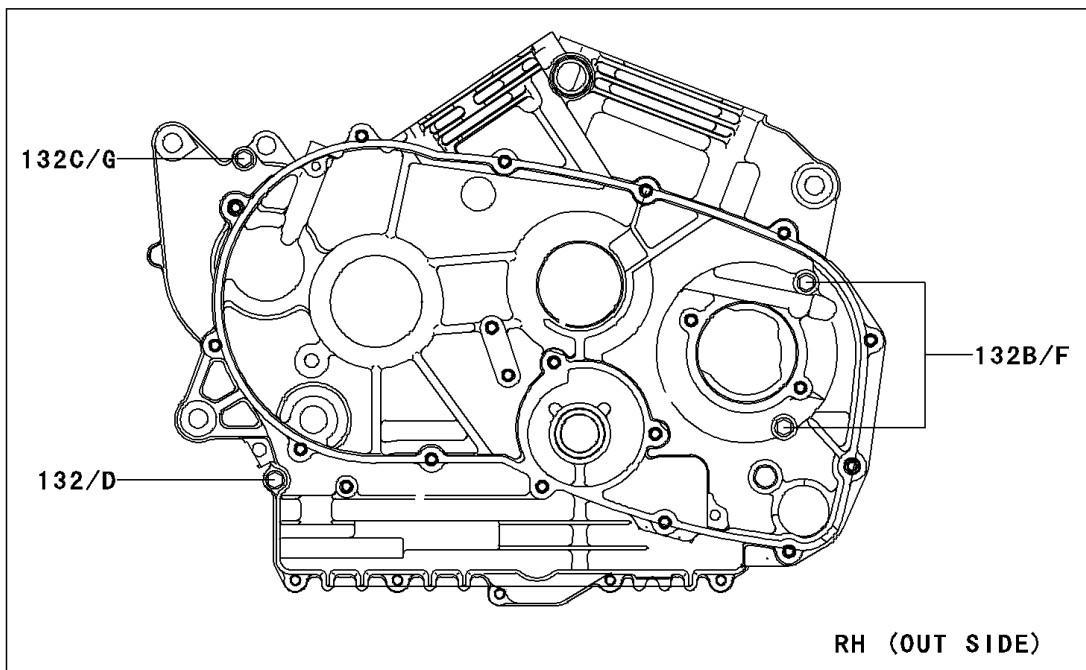
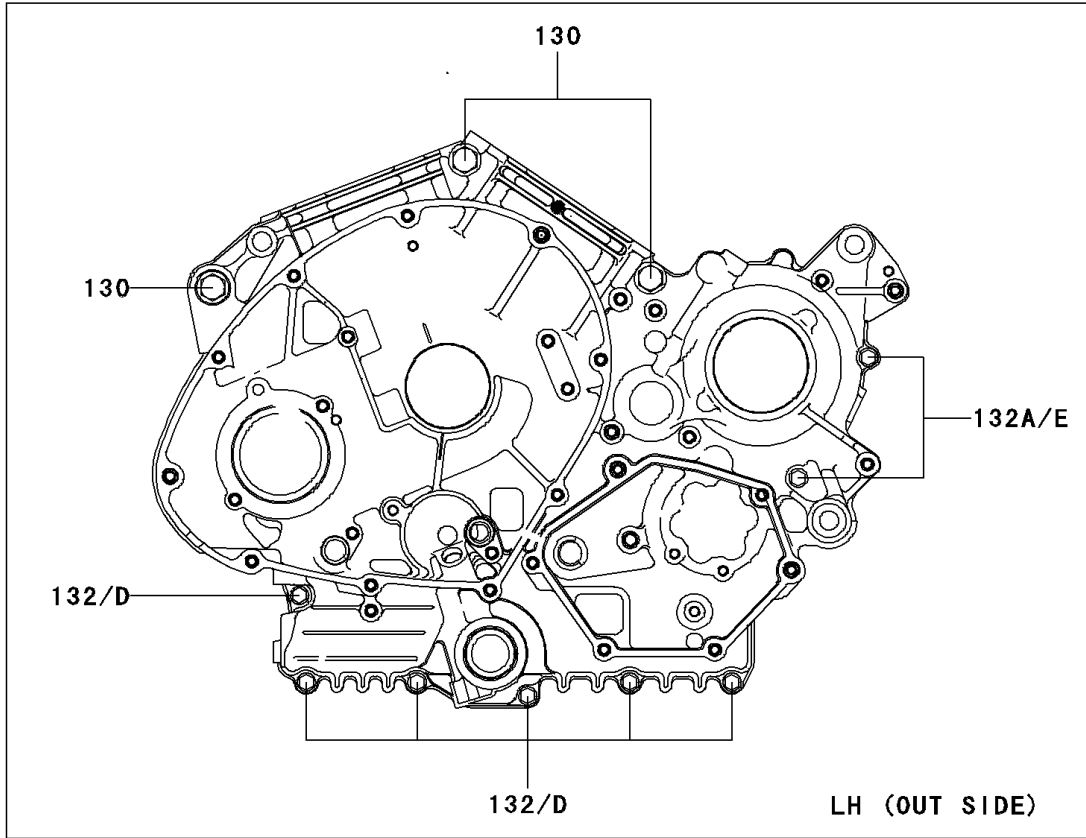


2008 Vulcan® 900 Classic PARTS DIAGRAM

Crankcase Bolt Pattern

E1412



2008 Vulcan® 900 Classic PARTS LIST

Crankcase Bolt Pattern

ITEM NAME	PART NUMBER	QUANTITY
BOLT-FLANGED,10X90 (Ref # 130)	130BB1090	3
BOLT-FLANGED-SMALL,6X30 (Ref # 132D)	132BB0630	7
BOLT-FLANGED-SMALL,6X60 (Ref # 132E)	132BB0660	2
BOLT-FLANGED-SMALL,6X70 (Ref # 132F)	132BB0670	2
BOLT-FLANGED-SMALL,6X85 (Ref # 132G)	132BB0685	1