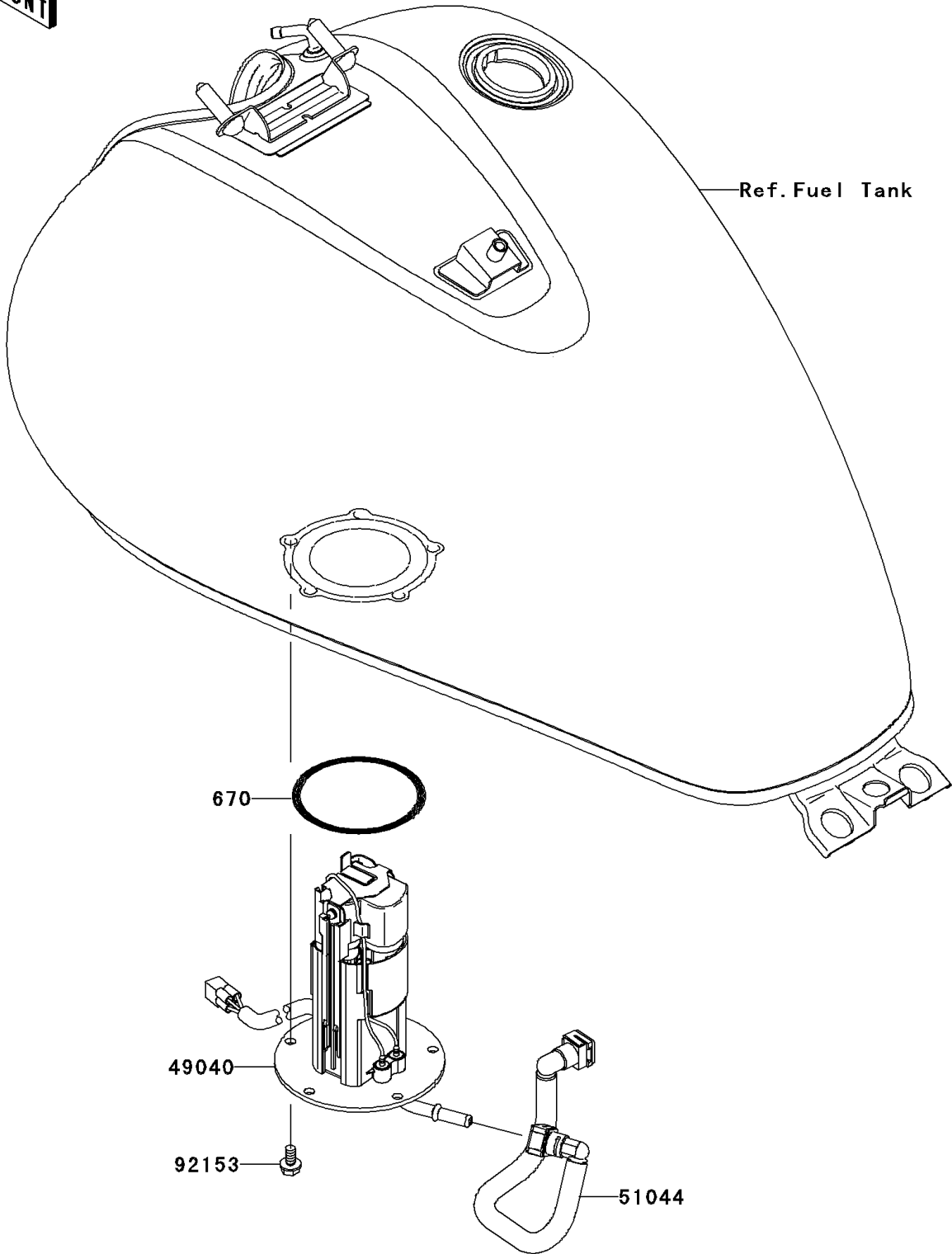


2009 Vulcan® 900 Classic PARTS DIAGRAM

Fuel Pump

E1520



2009 Vulcan® 900 Classic PARTS LIST

Fuel Pump

ITEM NAME	PART NUMBER	QUANTITY
O RING (Ref # 670)	670E5075	1
PUMP-FUEL (Ref # 49040)	49040-0022	1
TUBE-ASSY,FUEL (Ref # 51044)	51044-0027	1
BOLT,FLANGED,6X12 (Ref # 92153)	92153-1283	5