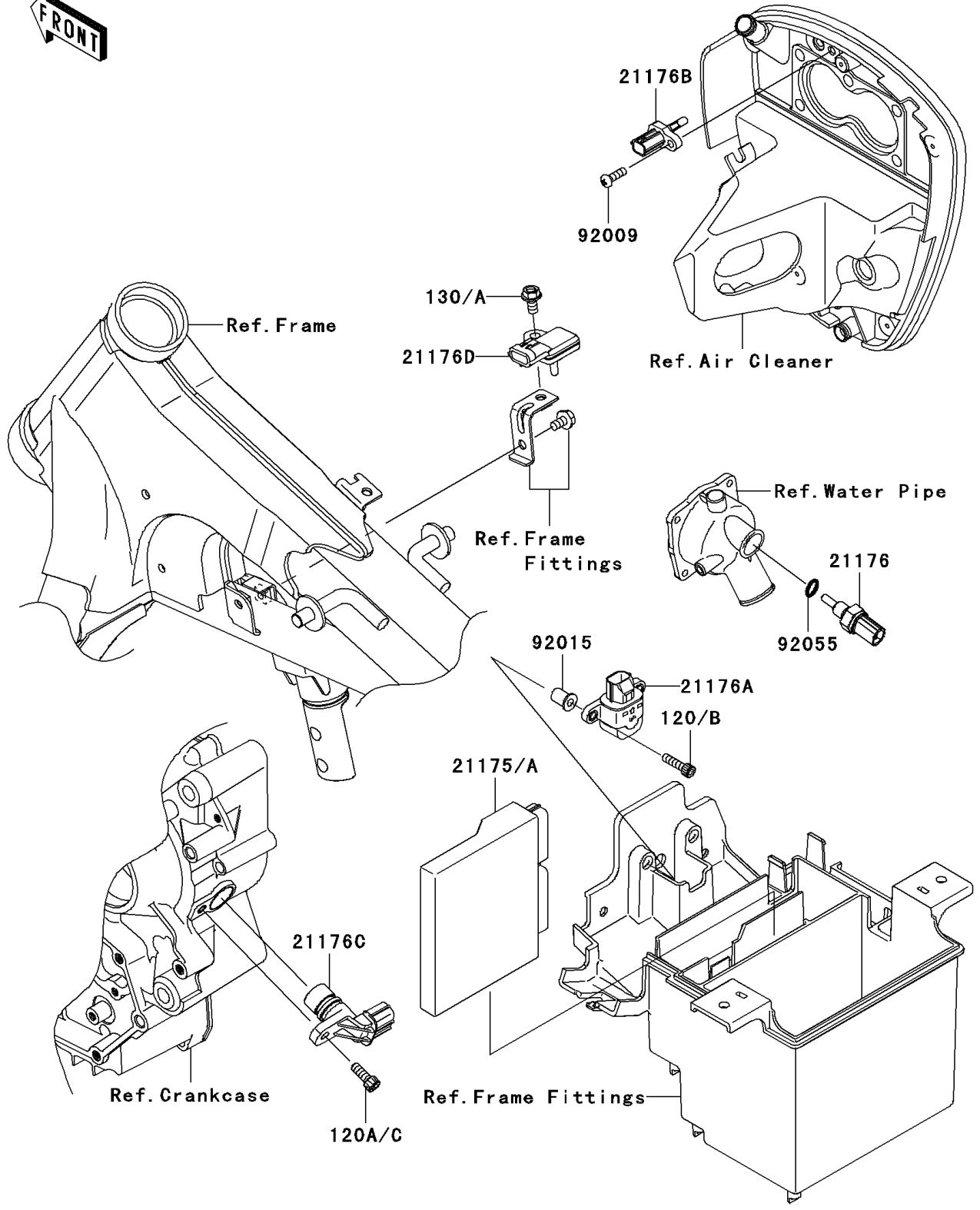


2009 Vulcan® 900 Classic PARTS DIAGRAM

Fuel Injection

E1530



2009 Vulcan® 900 Classic PARTS LIST

Fuel Injection

| ITEM NAME | PART NUMBER | QUANTITY |
|--|-------------|----------|
| BOLT-SOCKET,5X20 (Ref # 120B) | 120CB0520 | 2 |
| BOLT-SOCKET,6X16 (Ref # 120C) | 120CB0616 | 1 |
| BOLT-FLANGED,6X12 (Ref # 130A) | 130BB0612 | 1 |
| CONTROL UNIT-ELECTRONIC (Ref # 21175A) | 21175-0146 | 1 |
| SENSOR,WATER TEMP (Ref # 21176) | 21176-0009 | 1 |
| SENSOR (Ref # 21176A) | 21176-0025 | 1 |
| SENSOR,AIR TEMPERATURE (Ref # 21176B) | 21176-0048 | 1 |
| SENSOR,SPEED (Ref # 21176C) | 21176-0054 | 1 |
| SENSOR,PRESSURE (Ref # 21176D) | 21176-0058 | 1 |
| SCREW,TAPPING,5X16 (Ref # 92009) | 92009-1984 | 1 |
| NUT,WELL,5MM (Ref # 92015) | 92015-1757 | 2 |
| RING-O,9.5X1.9 (Ref # 92055) | 92055-0016 | 1 |