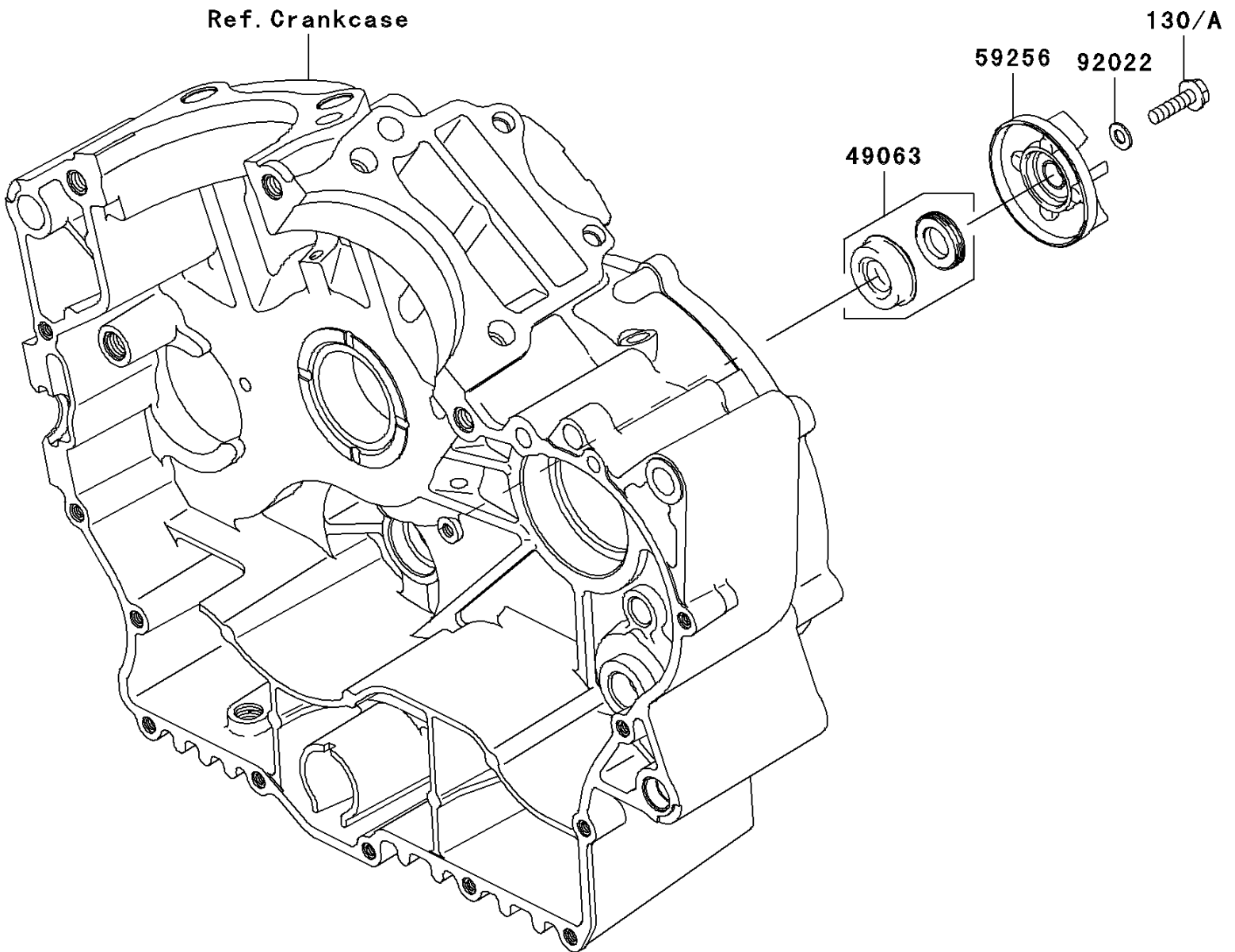


2008 Vulcan[®] 900 Classic PARTS DIAGRAM

Water Pump

E3031



2008 Vulcan® 900 Classic PARTS LIST

Water Pump

ITEM NAME	PART NUMBER	QUANTITY
BOLT-FLANGED,6X22 (Ref # 130A)	130R0622	1
SEAL-MECHANICAL,WATER (Ref # 49063)	49063-1055	1
IMPELLER (Ref # 59256)	59256-1073	1
WASHER,6.1X12X1 (Ref # 92022)	92022-077	1