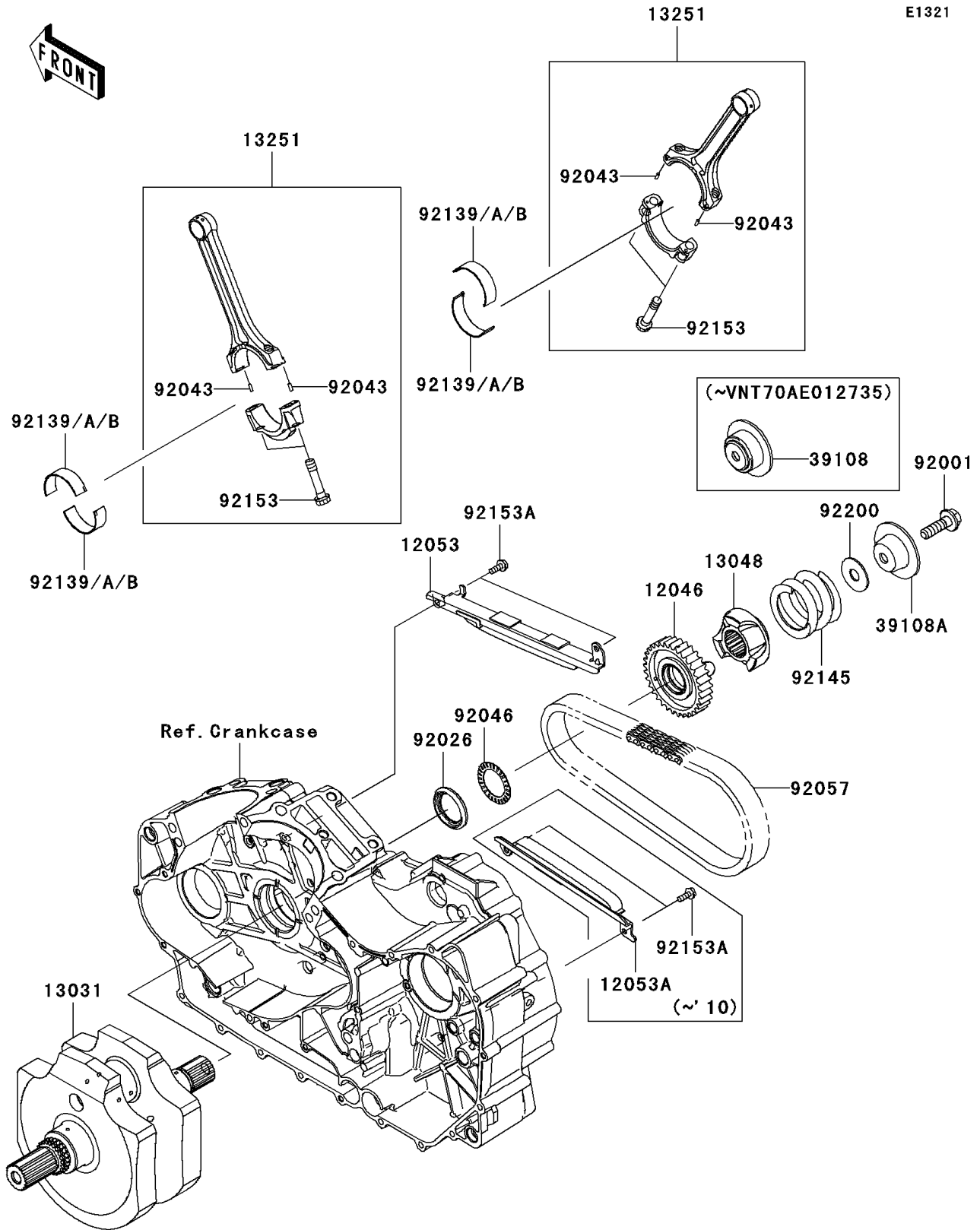


2009 Vulcan® 1700 Nomad™ PARTS DIAGRAM

Crankshaft



2009 Vulcan® 1700 Nomad™ PARTS LIST

Crankshaft

| ITEM NAME | PART NUMBER | QUANTITY |
|---|-------------|----------|
| SPROCKET,PRIMARY,33T (Ref # 12046) | 12046-0065 | 1 |
| GUIDE-CHAIN,PRIMARY,UPP (Ref # 12053) | 12053-0122 | 1 |
| GUIDE-CHAIN,PRIMARY,LWR (Ref # 12053A) | 12053-0123 | 1 |
| CRANKSHAFT-COMP (Ref # 13031) | 13031-0104 | 1 |
| CAM-DAMPER (Ref # 13048) | 13048-0017 | 1 |
| ROD-ASSY-CONNECTING (Ref # 13251) | 13251-0026 | 2 |
| RETAINER-SPRING (Ref # 39108) | 39108-0013 | 1 |
| BOLT,FLANGED,12X40 (Ref # 92001) | 92001-1146 | 1 |
| SPACER (Ref # 92026) | 92026-0123 | 1 |
| PIN,3X8.5 (Ref # 92043) | 92043-0033 | 4 |
| BEARING-NEEDLE (Ref # 92046) | 92046-0033 | 1 |
| CHAIN,PRIMARY,89HV303CF-92 (Ref # 92057) | 92057-0155 | 1 |
| BUSHING,CONNECTING ROD,BLUE (Ref # 92139) | 92139-0225 | 4 |
| BUSHING,CONNECTING ROD,BLACK (Ref # 92139A) | 92139-0226 | AR |
| BUSHING,CONNECTING ROD,BROWN (Ref # 92139B) | 92139-0227 | AR |
| SPRING,58X11X46.5 (Ref # 92145) | 92145-0592 | 1 |
| BOLT,CONNECTING ROD (Ref # 92153) | 92153-0314 | 4 |
| BOLT,FLANGED,6X16 (Ref # 92153A) | 92153-0713 | 4 |