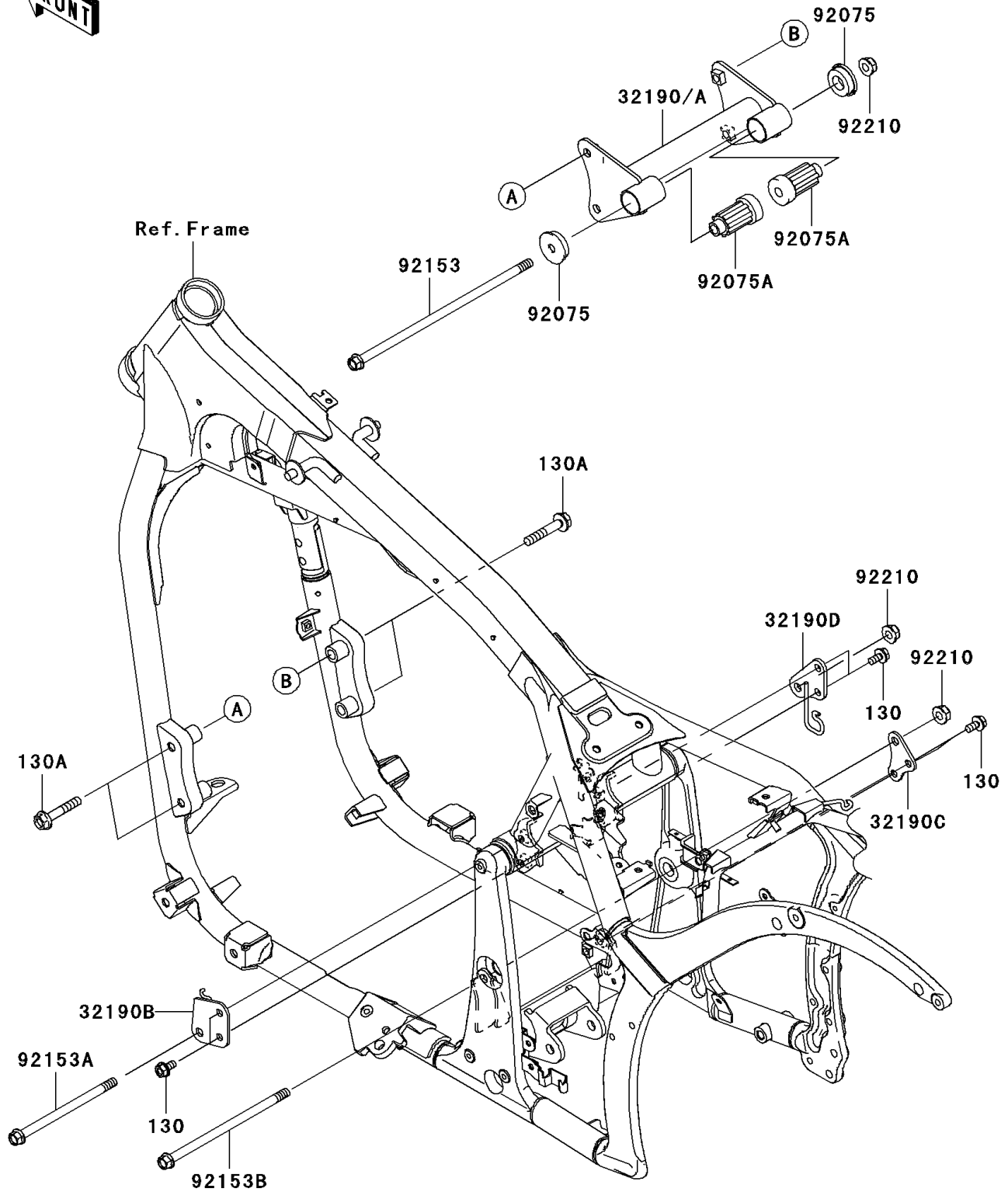


# 2010 Vulcan® 900 Classic LT PARTS DIAGRAM

Engine Mount

F2122



# 2010 Vulcan® 900 Classic LT PARTS LIST

Engine Mount

| ITEM NAME | PART NUMBER | QUANTITY |
|-----------|-------------|----------|
|-----------|-------------|----------|