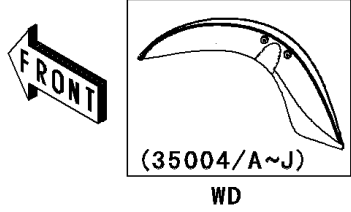


2007 Vulcan 900 Classic LT PARTS DIAGRAM

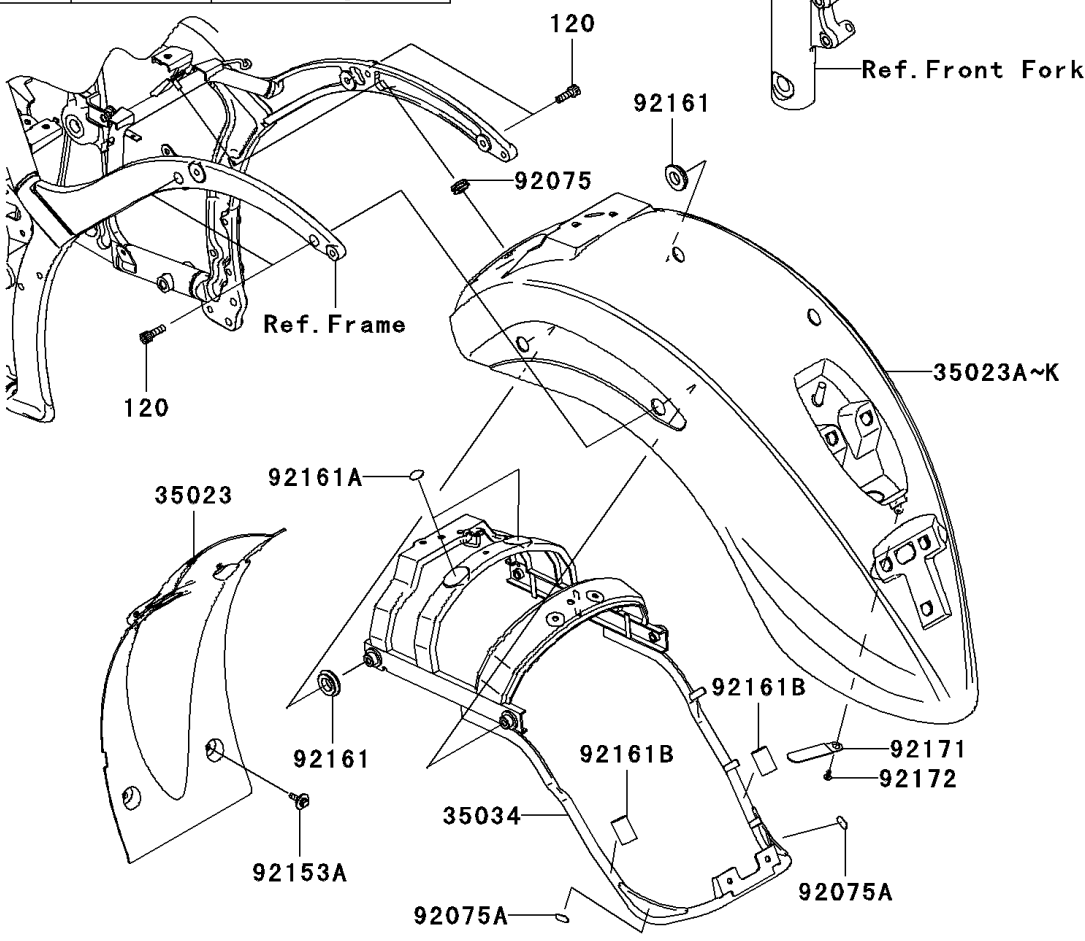
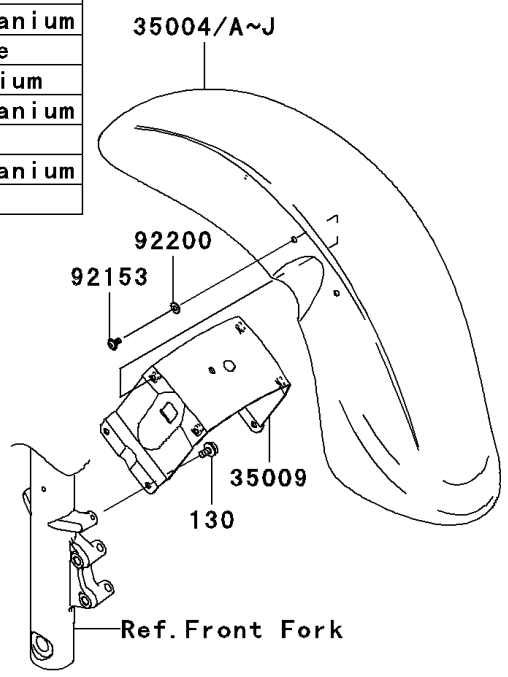
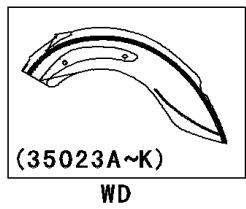
Fenders(JKAVN2D1 7A011497-)

F2170A



| | | |
|-------|----------|----------------|
| ('07) | (35004) | Silver/Ebony |
| | (35004A) | Red/Titanium |
| ('08) | (35004B) | Red/Black |
| | (35004C) | Blue/Silver |
| | (35004D) | White/Titanium |
| ('09) | (35004E) | Black/Blue |
| | (35004F) | Red/Titanium |
| | (35004G) | White/Titanium |
| ('10) | (35004H) | Red/Ebony |
| | (35004I) | Green/Titanium |
| | (35004J) | Blue/Gray |

| | | |
|-------|----------|----------------|
| ('07) | (35023A) | Silver/Ebony |
| | (35023B) | Red/Titanium |
| ('08) | (35023C) | Red/Black |
| | (35023D) | Blue/Silver |
| | (35023E) | White/Titanium |
| ('09) | (35004F) | Black/Blue |
| | (35023G) | Red/Titanium |
| ('10) | (35023H) | White/Titanium |
| | (35023I) | Red/Ebony |
| | (35023J) | Green/Titanium |
| | (35023K) | Blue/Gray |



2007 Vulcan 900 Classic LT PARTS LIST

Fenders(JKAVN2D1 7A011497-)

| ITEM NAME | PART NUMBER | QUANTITY |
|--|----------------|----------|
| FENDER-FRONT,SILVER/EBONY (Ref # 35004) | 35004-5268-686 | 1 |
| FENDER-FRONT,RED/TITANIUM (Ref # 35004A) | 35004-5269-10W | 1 |
| BRACE,FRONT FENDER (Ref # 35009) | 35009-0014 | 1 |
| FENDER-REAR,INNER (Ref # 35023) | 35023-0073 | 1 |
| FENDER-REAR,SILVER/EBONY (Ref # 35023A) | 35023-5137-686 | 1 |
| FENDER-REAR,RED/TITANIUM (Ref # 35023B) | 35023-5138-10W | 1 |
| REINFORCE,REAR FENDER (Ref # 35034) | 35034-0090 | 1 |
| DAMPER (Ref # 92075) | 92075-1067 | 1 |
| BOLT-SOCKET,8X25 (Ref # 120) | 120CA0825 | 4 |
| BOLT-FLANGED,8X14 (Ref # 130) | 130BB0814 | 4 |
| DAMPER (Ref # 92075A) | 92075-1841 | 2 |
| BOLT,SOCKET,6X16 (Ref # 92153) | 92153-0817 | 4 |
| BOLT,6X20 (Ref # 92153A) | 92153-1599 | 4 |
| DAMPER (Ref # 92161) | 92161-0375 | 2 |
| DAMPER (Ref # 92161A) | 92161-0406 | 2 |
| DAMPER (Ref # 92161B) | 92161-0459 | 2 |
| CLAMP (Ref # 92171) | 92171-0181 | 1 |
| SCREW,TAPPING,4X10 (Ref # 92172) | 92172-0172 | 1 |
| WASHER,6.5X14X1 (Ref # 92200) | 92200-1388 | 4 |