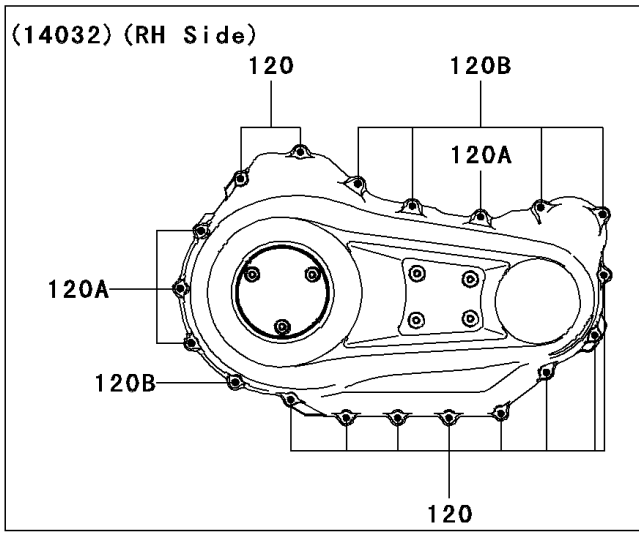
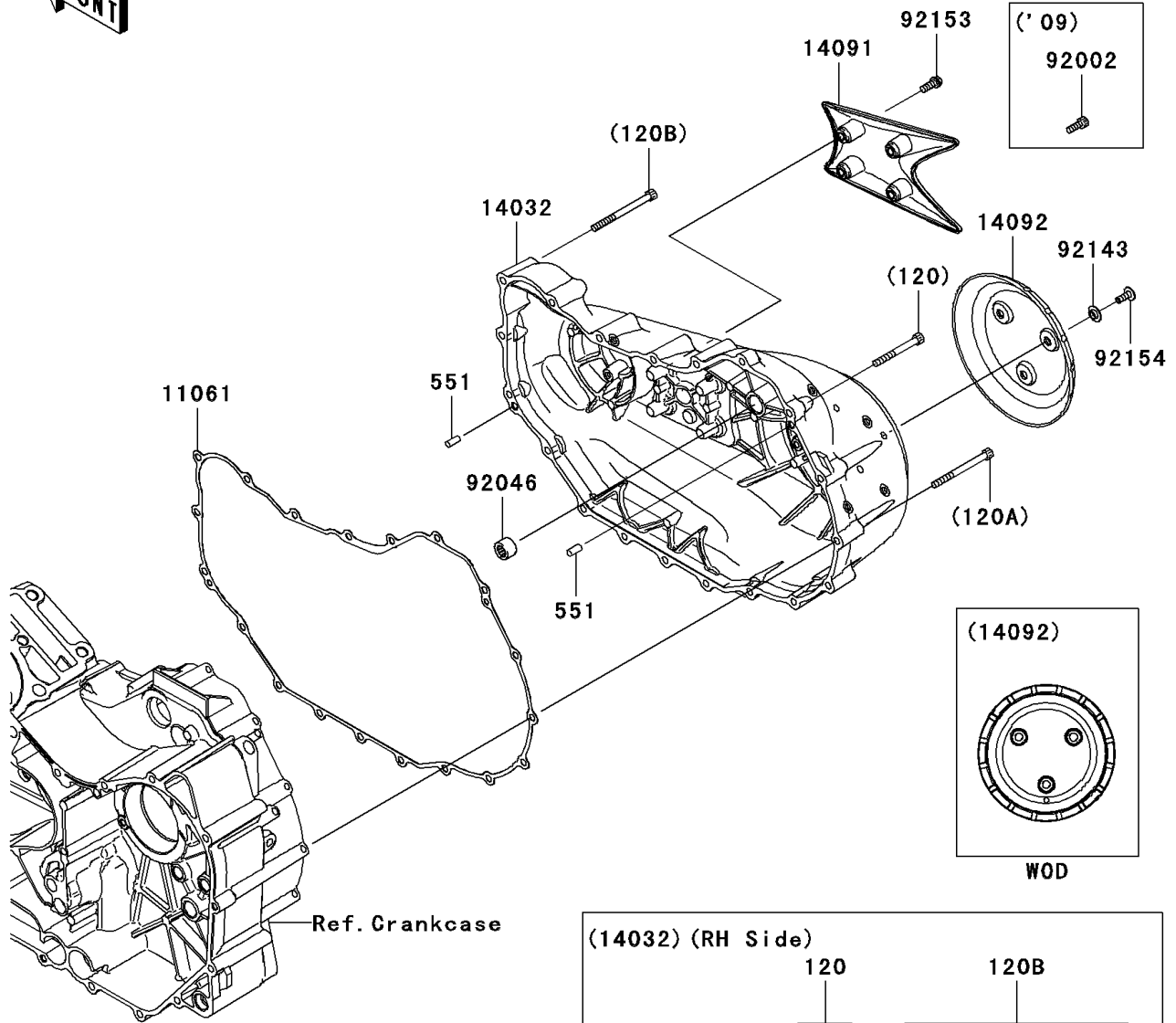


2011 VULCAN® 1700 NOMAD™ PARTS DIAGRAM

Right Engine Cover(s)

E1436



2011 VULCAN® 1700 NOMAD™ PARTS LIST

Right Engine Cover(s)

| ITEM NAME | PART NUMBER | QUANTITY |
|--|-------------|----------|
| BOLT-SOCKET,6X50 (Ref # 120) | 120CC0650 | 10 |
| BOLT-SOCKET,6X65 (Ref # 120A) | 120CC0665 | 4 |
| BOLT-SOCKET,6X75 (Ref # 120B) | 120CC0675 | 5 |
| PIN-DOWEL,6X14 (Ref # 551) | 551A0614 | 2 |
| GASKET,CLUTCH COVER (Ref # 11061) | 11061-0337 | 1 |
| COVER-CLUTCH (Ref # 14032) | 14032-0141 | 1 |
| COVER,CLUTCH,OUTER (Ref # 14091) | 14091-0995 | 1 |
| COVER,CLUTCH OUTER (Ref # 14092) | 14092-0033 | 1 |
| BEARING-NEEDLE,HK1212V11 (Ref # 92046) | 92046-1292 | 1 |
| COLLAR (Ref # 92143) | 92143-1087 | 3 |
| BOLT,6X16 (Ref # 92153) | 92153-0825 | 4 |
| BOLT,SOCKET,6X16 (Ref # 92154) | 92154-0257 | 3 |