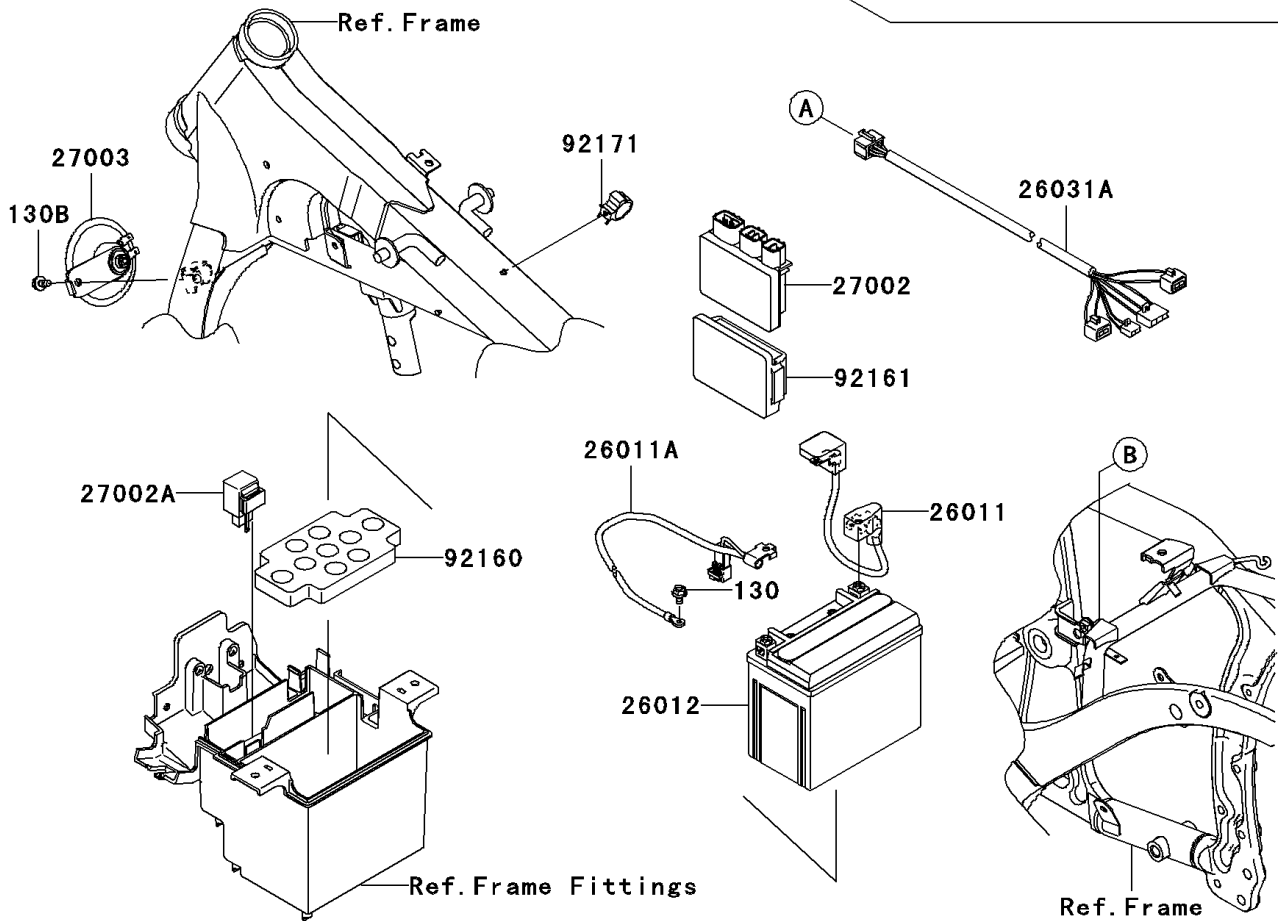
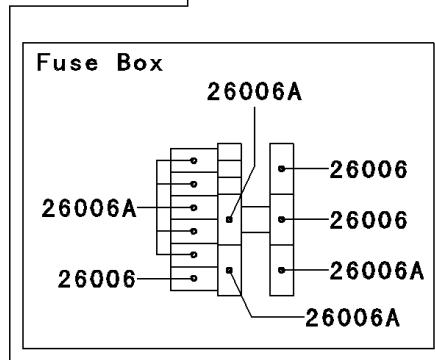
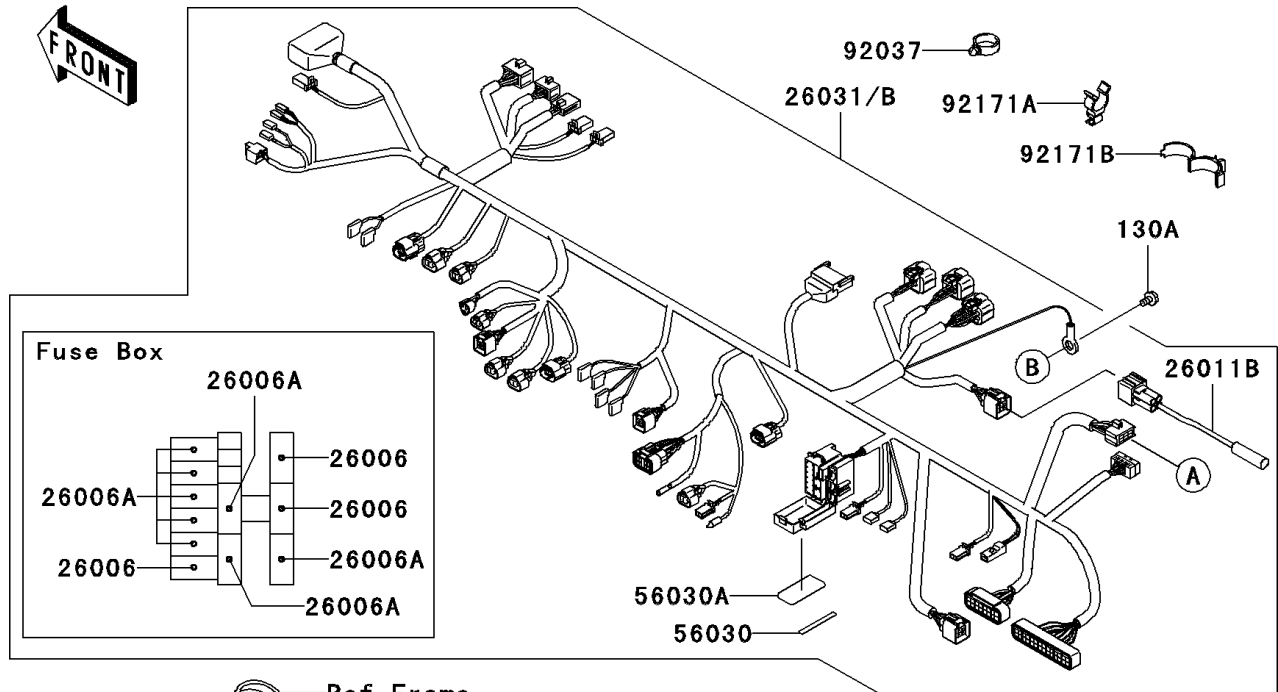


2006 Vulcan 900 Classic LT PARTS DIAGRAM

Chassis Electrical Equipment

F2760



2006 Vulcan 900 Classic LT PARTS LIST

Chassis Electrical Equipment

| ITEM NAME | PART NUMBER | QUANTITY |
|---|-------------|----------|
| BOLT-FLANGED,6X10 (Ref # 130) | 130BA0610 | 1 |
| BOLT-FLANGED,6X10 (Ref # 130A) | 130BB0610 | 1 |
| BOLT-FLANGED,6X12 (Ref # 130B) | 130BB0612 | 1 |
| FUSE,15A (Ref # 26006) | 26006-0001 | 3 |
| FUSE,10A (Ref # 26006A) | 26006-1078 | 8 |
| WIRE-LEAD,BATTERY(+) (Ref # 26011) | 26011-0089 | 1 |
| WIRE-LEAD,BATTERY(-) (Ref # 26011A) | 26011-0090 | 1 |
| WIRE-LEAD,DIAGNOSIS (Ref # 26011B) | 26011-1774 | 1 |
| BATTERY,YTX12-BS,12V 10AH (Ref # 26012) | 26012-0094 | 1 |
| HARNESS,MAIN (Ref # 26031) | 26031-0388 | 1 |
| HARNESS,RR (Ref # 26031A) | 26031-0448 | 1 |
| RELAY-ASSY (Ref # 27002) | 27002-0007 | 1 |
| RELAY-ASSY,TURN SIGNAL (Ref # 27002A) | 27002-1101 | 1 |
| HORN (Ref # 27003) | 27003-0039 | 1 |
| LABEL,FUSE BOX (Ref # 56030) | 56030-0016 | 1 |
| LABEL,FUSE BOX (Ref # 56030A) | 56030-0046 | 1 |
| CLAMP,HOSE (Ref # 92037) | 92037-1827 | 1 |
| DAMPER,BATTERY (Ref # 92160) | 92160-1635 | 1 |
| DAMPER,RELAY BOX (Ref # 92161) | 92161-0203 | 1 |
| CLAMP,DIA=20 (Ref # 92171) | 92171-0081 | 1 |
| CLAMP,CABLE (Ref # 92171A) | 92171-0347 | 1 |
| CLAMP,DIA=10 (Ref # 92171B) | 92171-1423 | 1 |