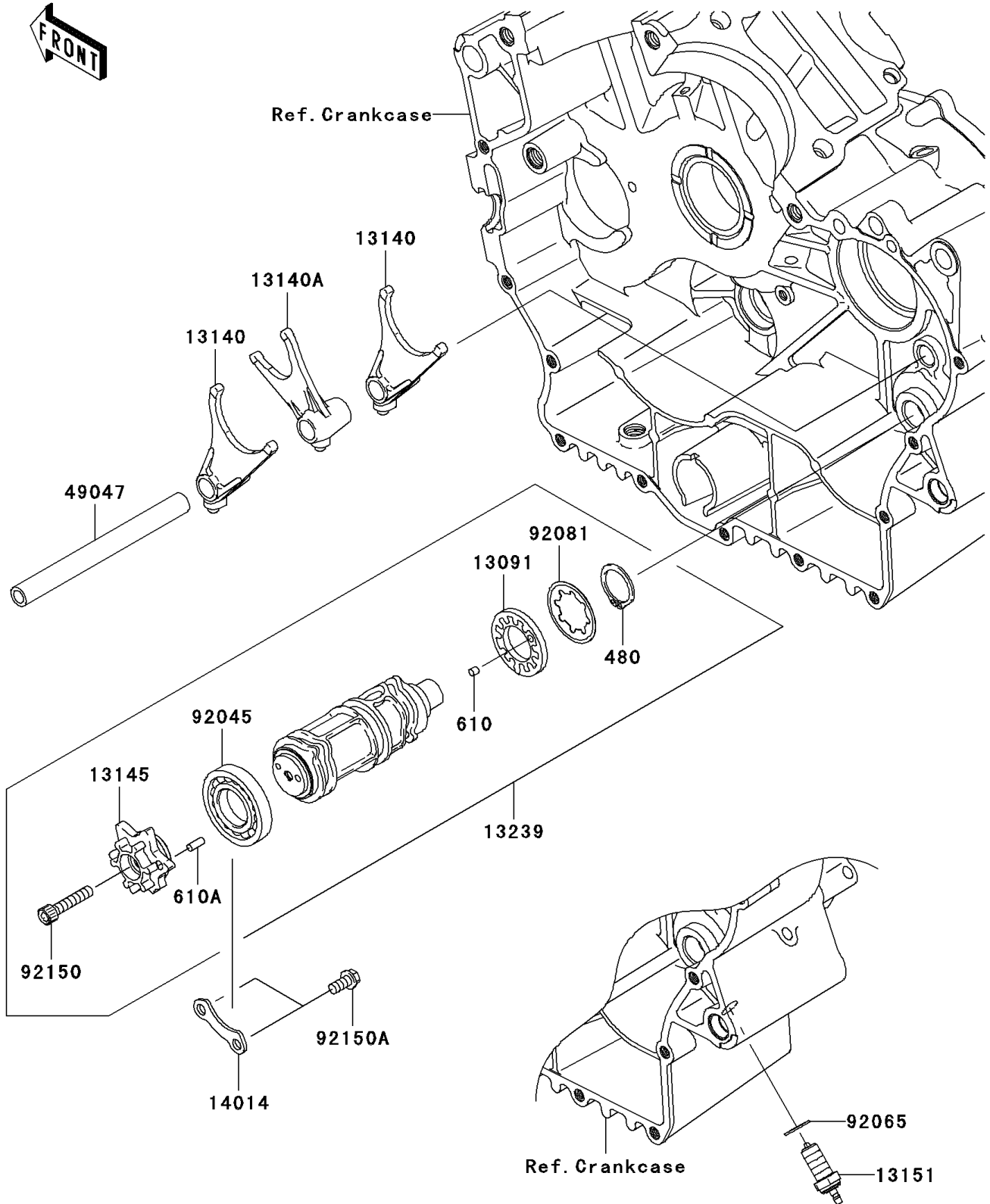


# 2008 Vulcan® 900 Custom PARTS DIAGRAM

Gear Change Drum/Shift Fork(s)

E1362



## 2008 Vulcan® 900 Custom PARTS LIST

### Gear Change Drum/Shift Fork(s)

| ITEM NAME                         | PART NUMBER | QUANTITY |
|-----------------------------------|-------------|----------|
| CIRCLIP-TYPE-C,22MM (Ref # 480)   | 480J2200    | 1        |
| ROLLER,4X4 (Ref # 610)            | 610A0404    | 1        |
| ROLLER,4X10 (Ref # 610A)          | 610A0410    | 1        |
| HOLDER,CHANGE DRUM (Ref # 13091)  | 13091-1389  | 1        |
| FORK-SHIFT (Ref # 13140)          | 13140-0031  | 2        |
| FORK-SHIFT (Ref # 13140A)         | 13140-1138  | 1        |
| CAM-CHANGE DRUM (Ref # 13145)     | 13145-0028  | 1        |
| SWITCH-COMP (Ref # 13151)         | 13151-1085  | 1        |
| DRUM-ASSY-CHANGE (Ref # 13239)    | 13239-0018  | 1        |
| PLATE-POSITION (Ref # 14014)      | 14014-1014  | 1        |
| ROD-SHIFT (Ref # 49047)           | 49047-0036  | 1        |
| BEARING-BALL,16005Z (Ref # 92045) | 92045-1030  | 1        |
| GASKET,10.5X16X1 (Ref # 92065)    | 92065-058   | 1        |
| SPRING (Ref # 92081)              | 92081-1895  | 1        |
| BOLT,SOCKET,6X30 (Ref # 92150)    | 92150-1433  | 1        |
| BOLT,6X12 (Ref # 92150A)          | 92150-1868  | 2        |