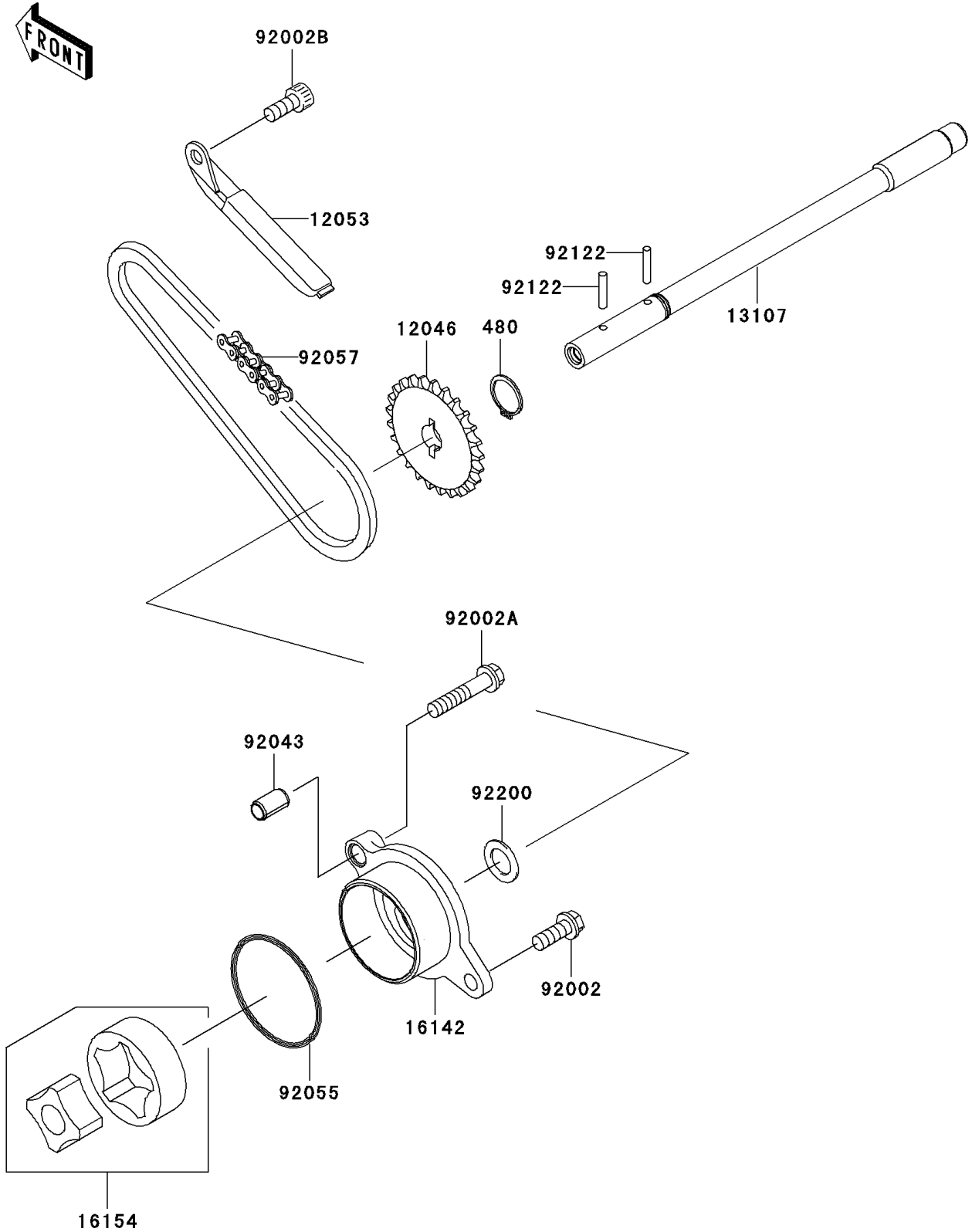


2009 Vulcan[®] 900 Custom PARTS DIAGRAM

Oil Pump

E1712



2009 Vulcan® 900 Custom PARTS LIST

Oil Pump

| ITEM NAME | PART NUMBER | QUANTITY |
|-----------------------------------|-------------|----------|
| CIRCLIP-TYPE-C,11MM (Ref # 480) | 480J1100 | 1 |
| SPROCKET,24T (Ref # 12046) | 12046-0045 | 1 |
| GUIDE-CHAIN (Ref # 12053) | 12053-0070 | 1 |
| SHAFT (Ref # 13107) | 13107-0116 | 1 |
| COVER-PUMP,OIL (Ref # 16142) | 16142-0028 | 1 |
| ROTOR-PUMP,40.56X18 (Ref # 16154) | 16154-1056 | 1 |
| BOLT,6X16 (Ref # 92002) | 92002-1439 | 1 |
| BOLT,6X30 (Ref # 92002A) | 92002-1534 | 1 |
| BOLT,SOCKET,6X14 (Ref # 92002B) | 92002-1592 | 1 |
| PIN,6.2X8X14 (Ref # 92043) | 92043-1263 | 1 |
| RING-O,44.7X2.4 (Ref # 92055) | 92055-1279 | 1 |
| CHAIN,DID 25H,54LE (Ref # 92057) | 92057-0113 | 1 |
| ROLLER,3X15.8 (Ref # 92122) | 92122-1126 | 2 |
| WASHER (Ref # 92200) | 92200-1009 | 1 |