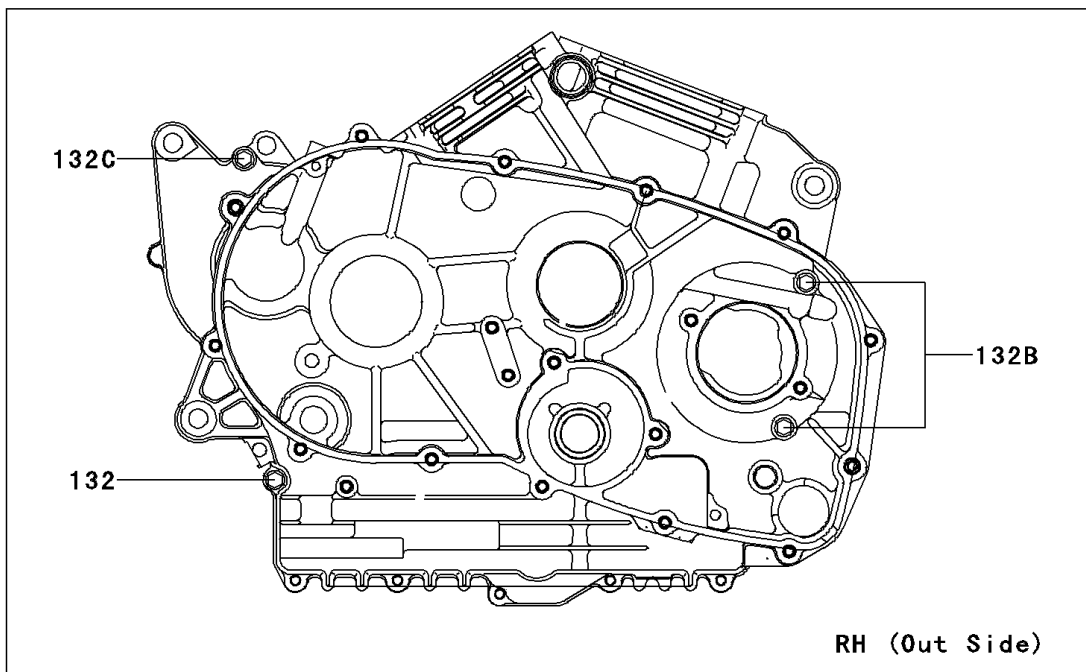
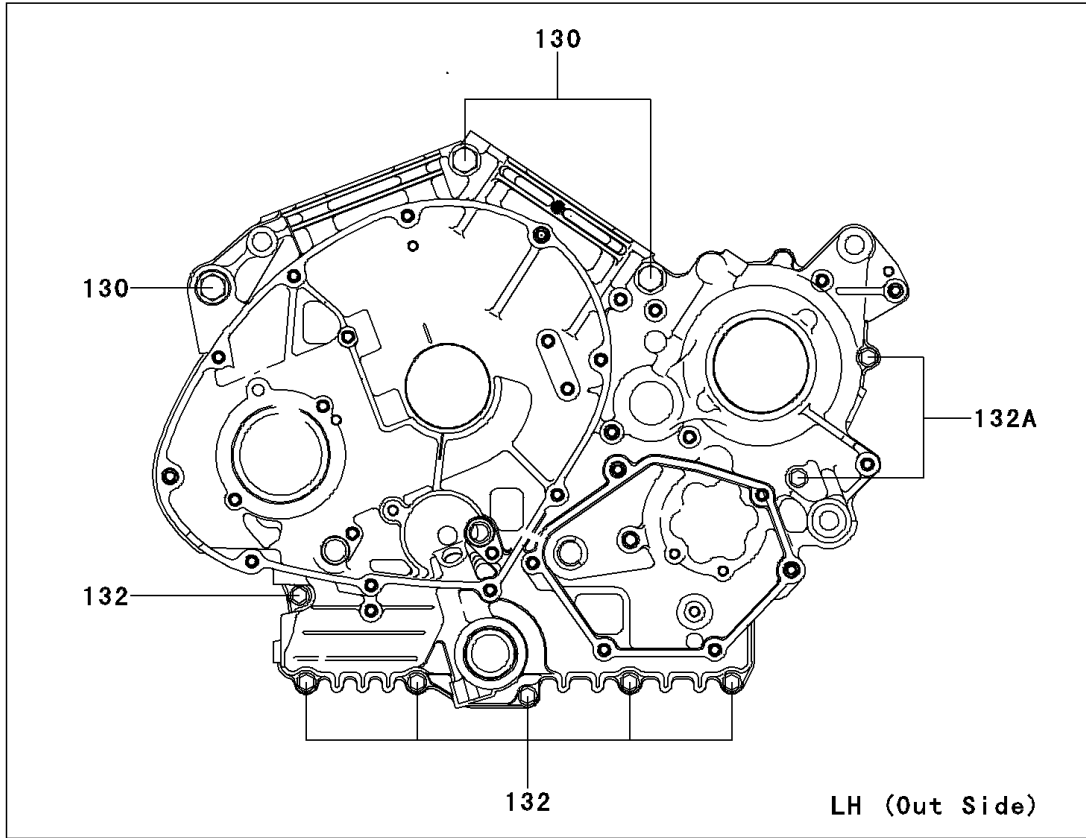


# 2011 VULCAN® 900 CLASSIC PARTS DIAGRAM

## Crankcase Bolt Pattern

E1412



## 2011 VULCAN® 900 CLASSIC PARTS LIST

### Crankcase Bolt Pattern

ITEM NAME	PART NUMBER	QUANTITY
BOLT-FLANGED,10X90 (Ref # 130)	130BB1090	3
BOLT-FLANGED-SMALL,6X30 (Ref # 132)	132BA0630	7
BOLT-FLANGED-SMALL,6X60 (Ref # 132A)	132BA0660	2
BOLT-FLANGED-SMALL,6X70 (Ref # 132B)	132BA0670	2
BOLT-FLANGED-SMALL,6X85 (Ref # 132C)	132BA0685	1