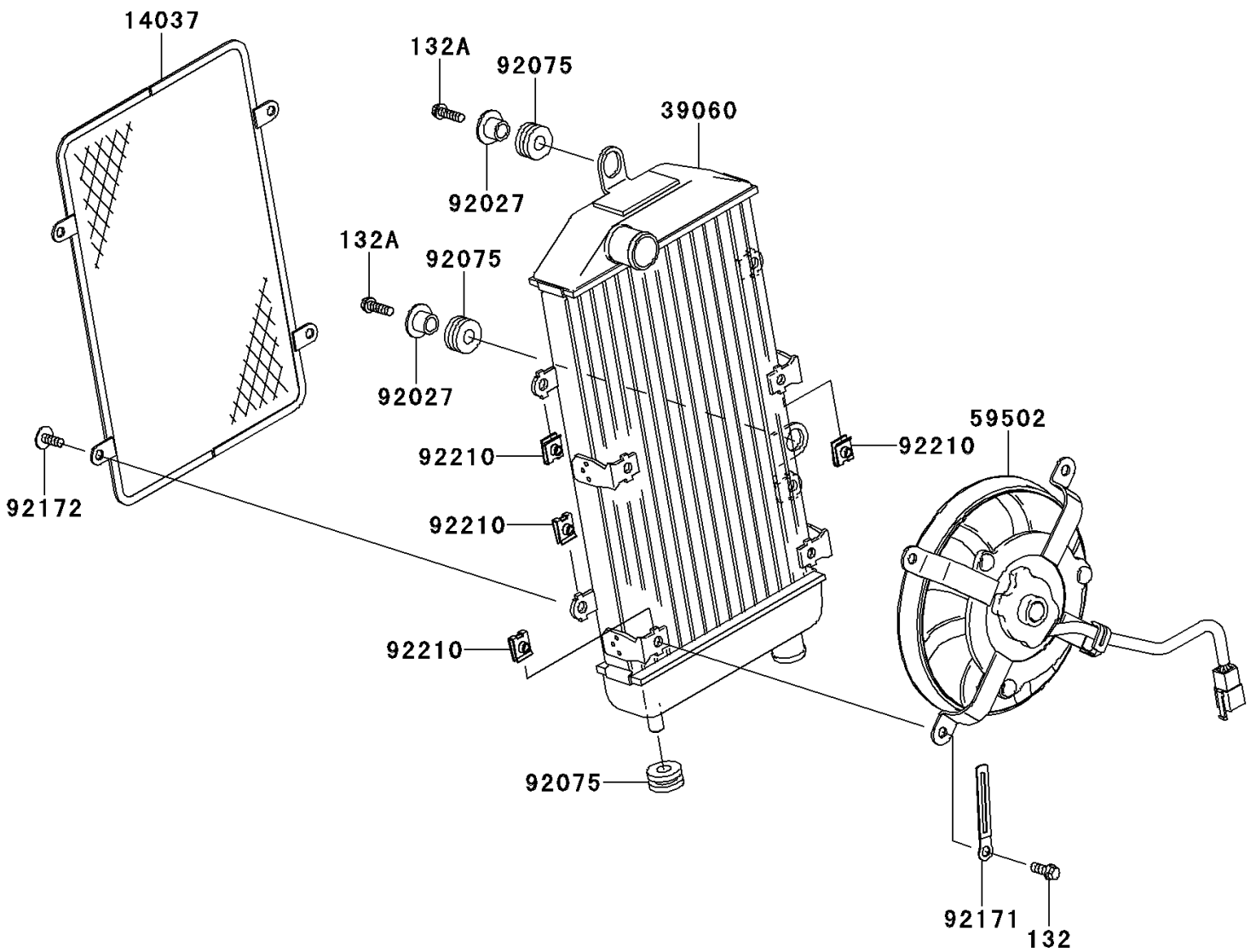


2011 VULCAN® 900 CLASSIC PARTS DIAGRAM

Radiator

E3032



2011 VULCAN® 900 CLASSIC PARTS LIST

Radiator

| ITEM NAME | PART NUMBER | QUANTITY |
|--------------------------------------|-------------|----------|
| BOLT-FLANGED-SMALL,6X14 (Ref # 132) | 132BB0614 | 4 |
| BOLT-FLANGED-SMALL,6X20 (Ref # 132A) | 132BB0620 | 2 |
| SCREEN (Ref # 14037) | 14037-0046 | 1 |
| RADIATOR (Ref # 39060) | 39060-0029 | 1 |
| FAN-ASSY (Ref # 59502) | 59502-0023 | 1 |
| COLLAR,L=13.1,BLACK (Ref # 92027) | 92027-1450 | 2 |
| DAMPER (Ref # 92075) | 92075-1690 | 3 |
| CLAMP (Ref # 92171) | 92171-0791 | 1 |
| SCREW,6X14 (Ref # 92172) | 92172-0004 | 4 |
| NUT (Ref # 92210) | 92210-1323 | 8 |