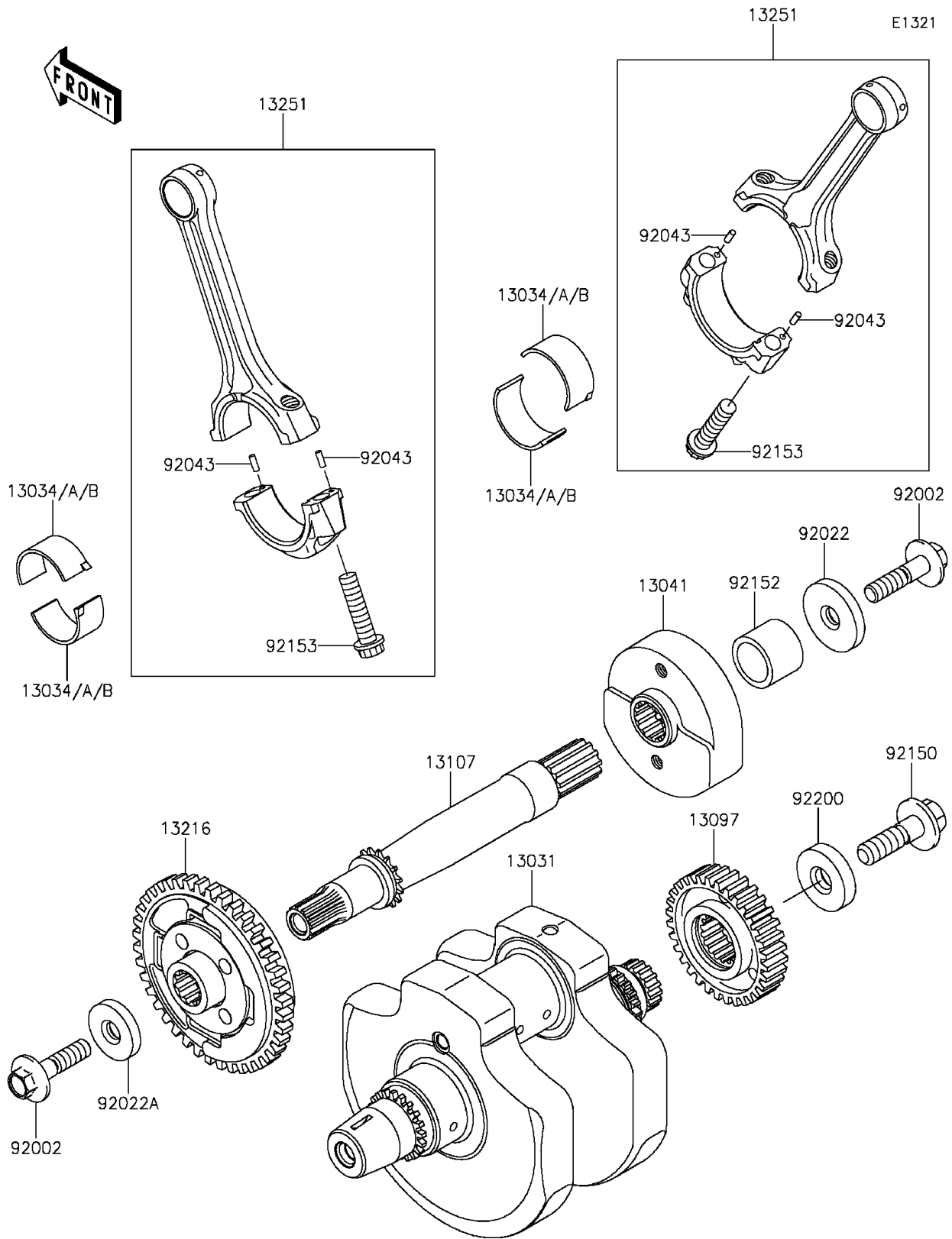


# 2013 VULCAN® 900 CLASSIC LT PARTS DIAGRAM

Crankshaft



## 2013 VULCAN® 900 CLASSIC LT PARTS LIST

### Crankshaft

ITEM NAME	PART NUMBER	QUANTITY
CRANKSHAFT-COMP (Ref # 13031)	13031-0058	1
METAL,CONNECTING ROD,BLUE (Ref # 13034)	13034-1057	AR
METAL,CONNECTING ROD,BLACK (Ref # 13034A)	13034-1058	AR
METAL,CONNECTING ROD,BROWN (Ref # 13034B)	13034-1059	AR
BALANCER,RH (Ref # 13041)	13041-0009	1
GEAR-PRIMARY SPUR,38T (Ref # 13097)	13097-0050	1
SHAFT,BALANCER (Ref # 13107)	13107-0115	1
GEAR-COMP,BALANCER,LH (Ref # 13216)	13216-0016	1
ROD-ASSY-CONNECTING,J (Ref # 13251)	13251-0016-JJ	2
BOLT,FLANGED,10X40 (Ref # 92002)	92002-1296	2
WASHER,10X40X6 (Ref # 92022)	92022-1905	1
WASHER,10X33X6 (Ref # 92022A)	92022-1906	1
PIN,3X8.5 (Ref # 92043)	92043-0033	4
BOLT,12X40 (Ref # 92150)	92150-1717	1
COLLAR,23X30X23 (Ref # 92152)	92152-0358	1
BOLT,CON-ROD,9X38 (Ref # 92153)	92153-1330	4
WASHER,12X36X8 (Ref # 92200)	92200-1249	1