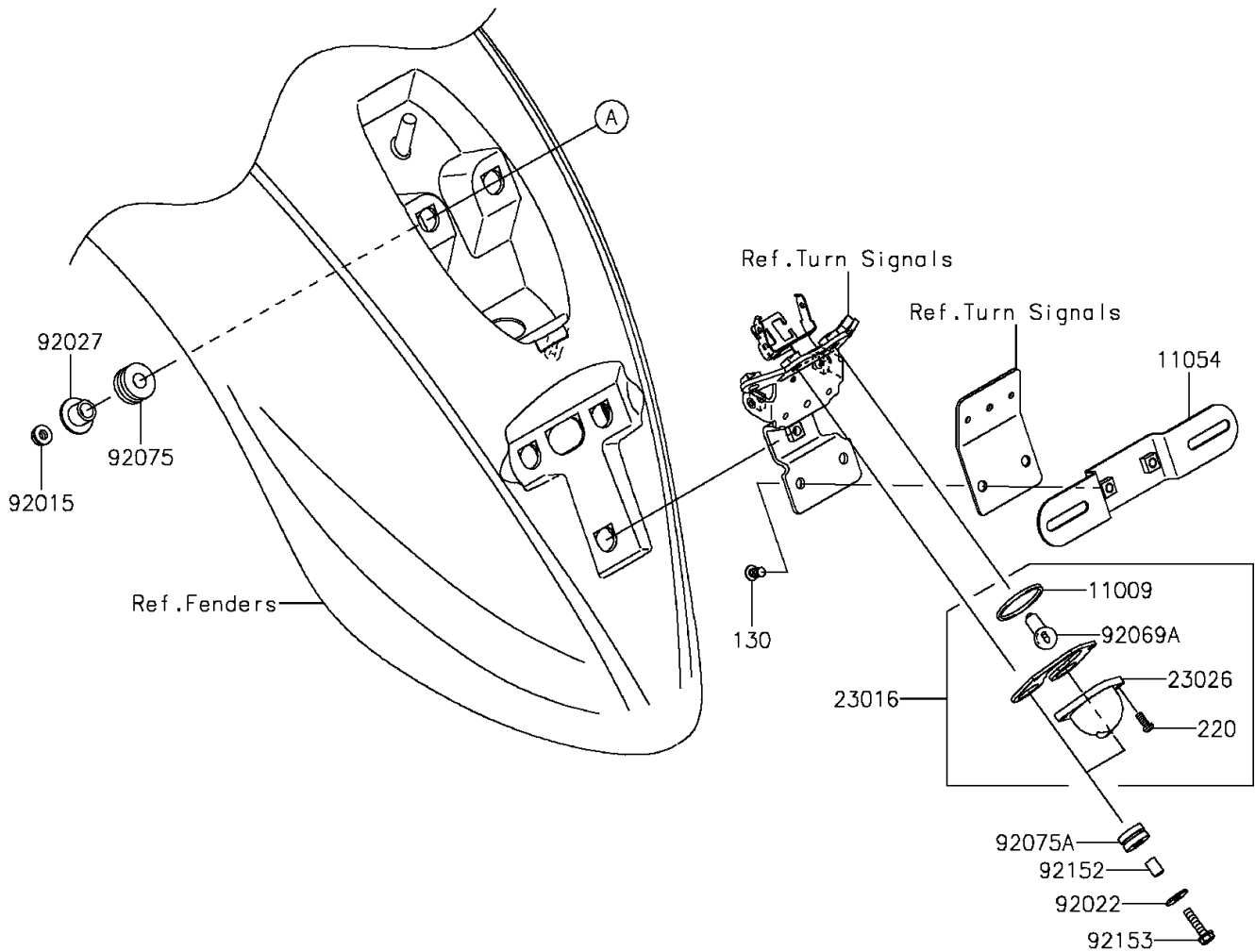
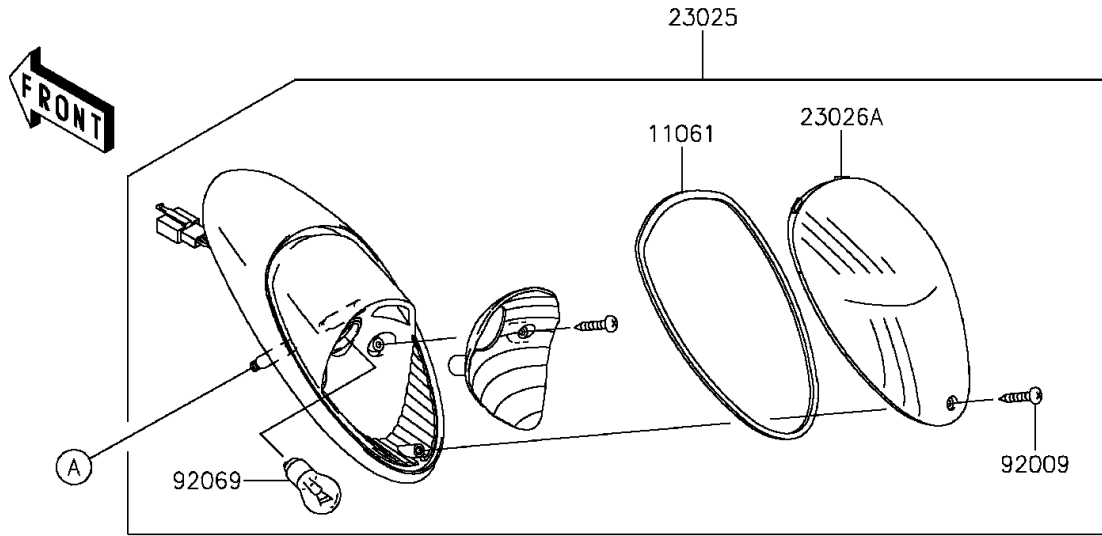


# 2015 VULCAN® 900 CLASSIC LT PARTS DIAGRAM

Taillight(s)

F2720



# 2015 VULCAN® 900 CLASSIC LT PARTS LIST

Taillight(s)

ITEM NAME	PART NUMBER	QUANTITY
-----------	-------------	----------