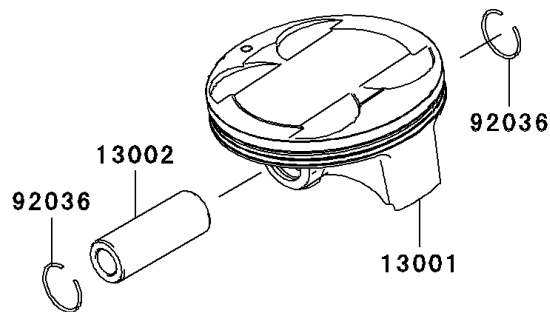
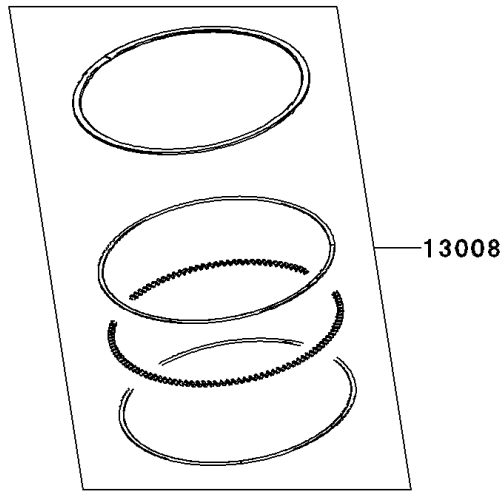
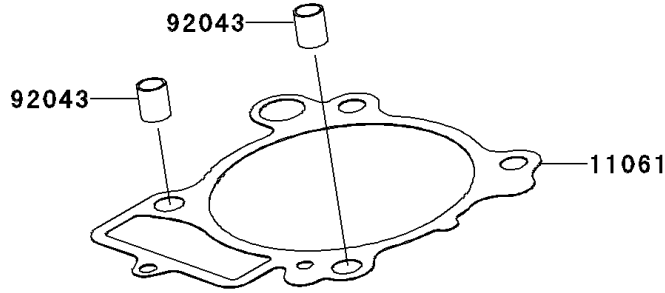
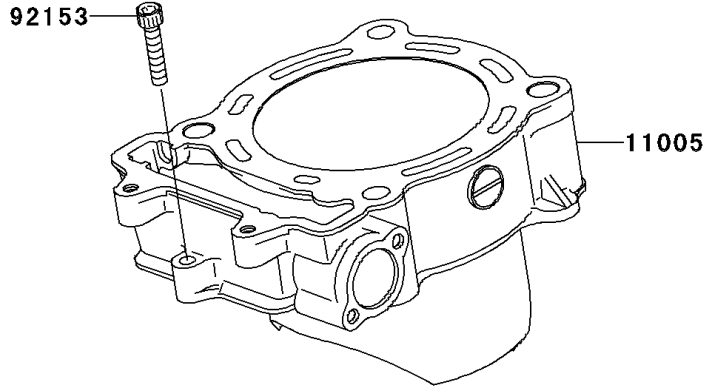


2009 KLX® 450R PARTS DIAGRAM

Cylinder/Piston(s)

E1120



2009 KLX® 450R PARTS LIST

Cylinder/Piston(s)

ITEM NAME	PART NUMBER	QUANTITY
CYLINDER-ENGINE (Ref # 11005)	11005-0088	1
GASKET,CYLINDER BASE (Ref # 11061)	11061-0160	1
PISTON-ENGINE (Ref # 13001)	13001-0073	1
PIN-PISTON (Ref # 13002)	13002-0016	1
RING-SET-PISTON (Ref # 13008)	13008-0018	1
RING-SNAP,PISTON PIN (Ref # 92036)	92036-008	2
PIN,10.1X12X14 (Ref # 92043)	92043-4009	2
BOLT,6X30 (Ref # 92153)	92153-0844	1