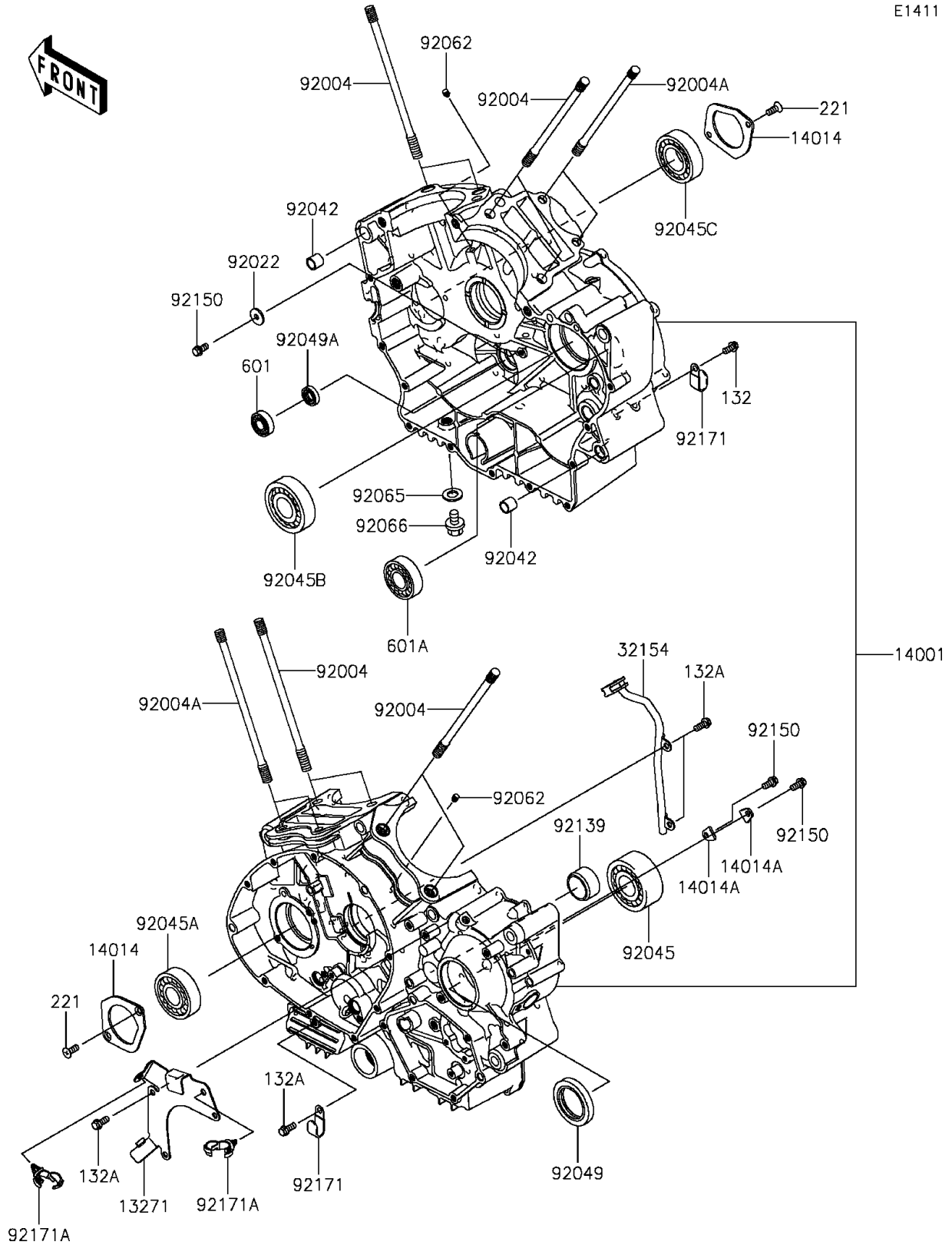


# 2012 VULCAN® 900 CUSTOM PARTS DIAGRAM

Crankcase

E1411



## 2012 VULCAN® 900 CUSTOM PARTS LIST

### Crankcase

ITEM NAME	PART NUMBER	QUANTITY
BOLT-FLANGED-SMALL,6X12 (Ref # 132)	132BA0612	1
BOLT-FLANGED-SMALL,6X14 (Ref # 132A)	132BA0614	6
SCREW-CSK-CROS,6X16 (Ref # 221)	221AA0616	4
BEARING-BALL (Ref # 601)	601A6001	1
BEARING-BALL (Ref # 601A)	601A6204Z	1
PLATE (Ref # 13271)	13271-0841	1
SET-CRANKCASE (Ref # 14001)	14001-0069	1
PLATE-POSITION (Ref # 14014)	14014-0024	2
PLATE-POSITION (Ref # 14014A)	14014-0026	2
PIPE,OIL (Ref # 32154)	32154-0752	1
STUD,10X160 (Ref # 92004)	92004-0026	8
STUD,8X165.5 (Ref # 92004A)	92004-0027	4
WASHER,6X19.5X2 (Ref # 92022)	92022-1517	1
PIN,DOWEL,11X14X12.5 (Ref # 92042)	92042-028	2
BEARING-BALL,5305-A-1 (Ref # 92045)	92045-0059	1
BEARING-BALL,#63/22X (Ref # 92045A)	92045-1017	1
BEARING-BALL,TMB305 (Ref # 92045B)	92045-1137	1
BEARING-BALL,62/28 (Ref # 92045C)	92045-1207	1
SEAL-OIL,TC 38 55 8 (Ref # 92049)	92049-0076	1
SEAL-OIL,SC 12X22X5 (Ref # 92049A)	92049-1228	1
NOZZLE,6X8,BLACK (Ref # 92062)	92062-1079	2
GASKET,12X22X2 (Ref # 92065)	92065-097	1
PLUG,12X15 (Ref # 92066)	92066-0079	1
BUSHING (Ref # 92139)	92139-0139	1
BOLT,6X12 (Ref # 92150)	92150-1868	3
CLAMP (Ref # 92171)	92171-0739	2
CLAMP,DIA=13 (Ref # 92171A)	92171-1415	2