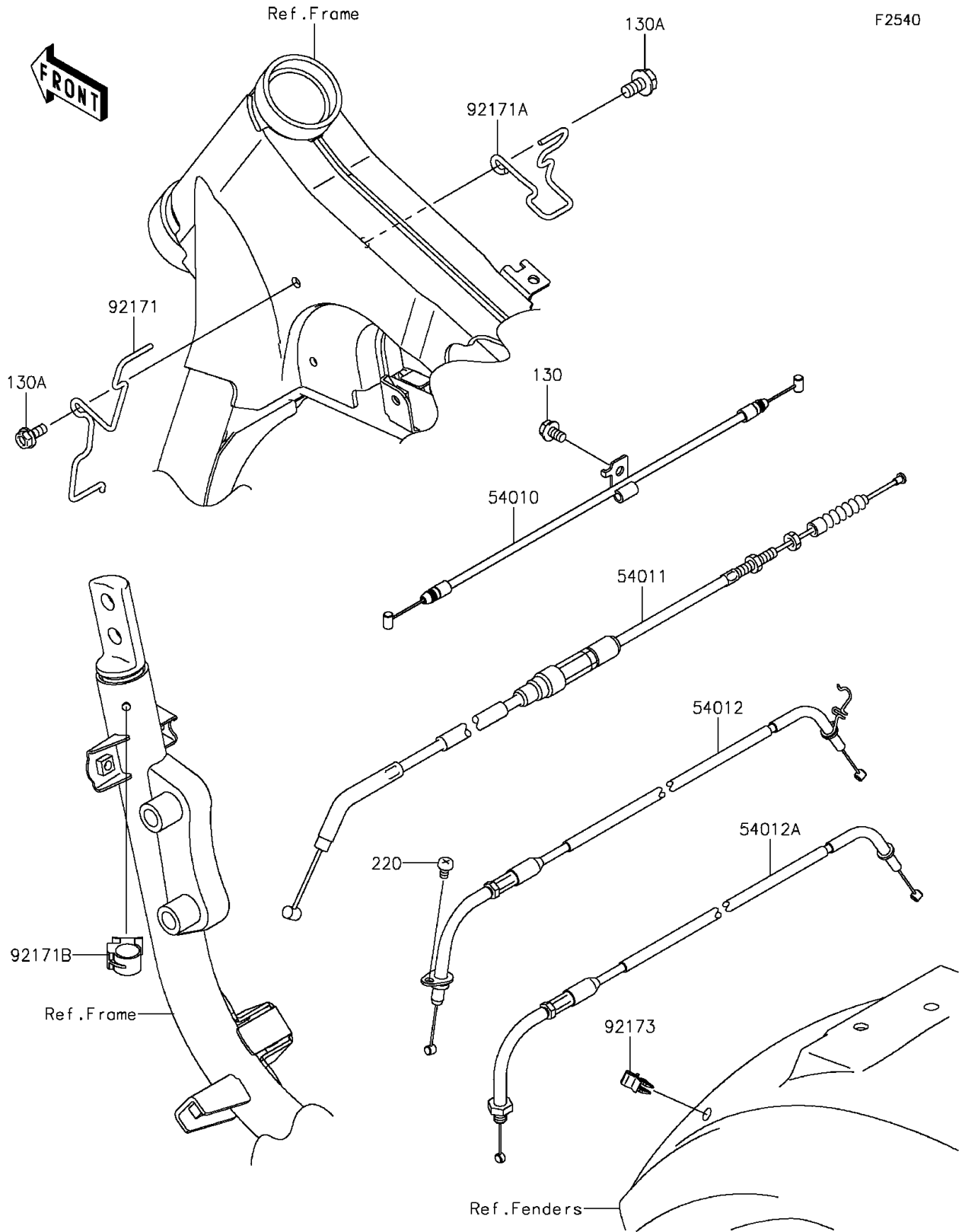


# 2015 VULCAN® 900 CUSTOM PARTS DIAGRAM

## Cables



# 2015 VULCAN® 900 CUSTOM PARTS LIST

Cables

ITEM NAME	PART NUMBER	QUANTITY
-----------	-------------	----------