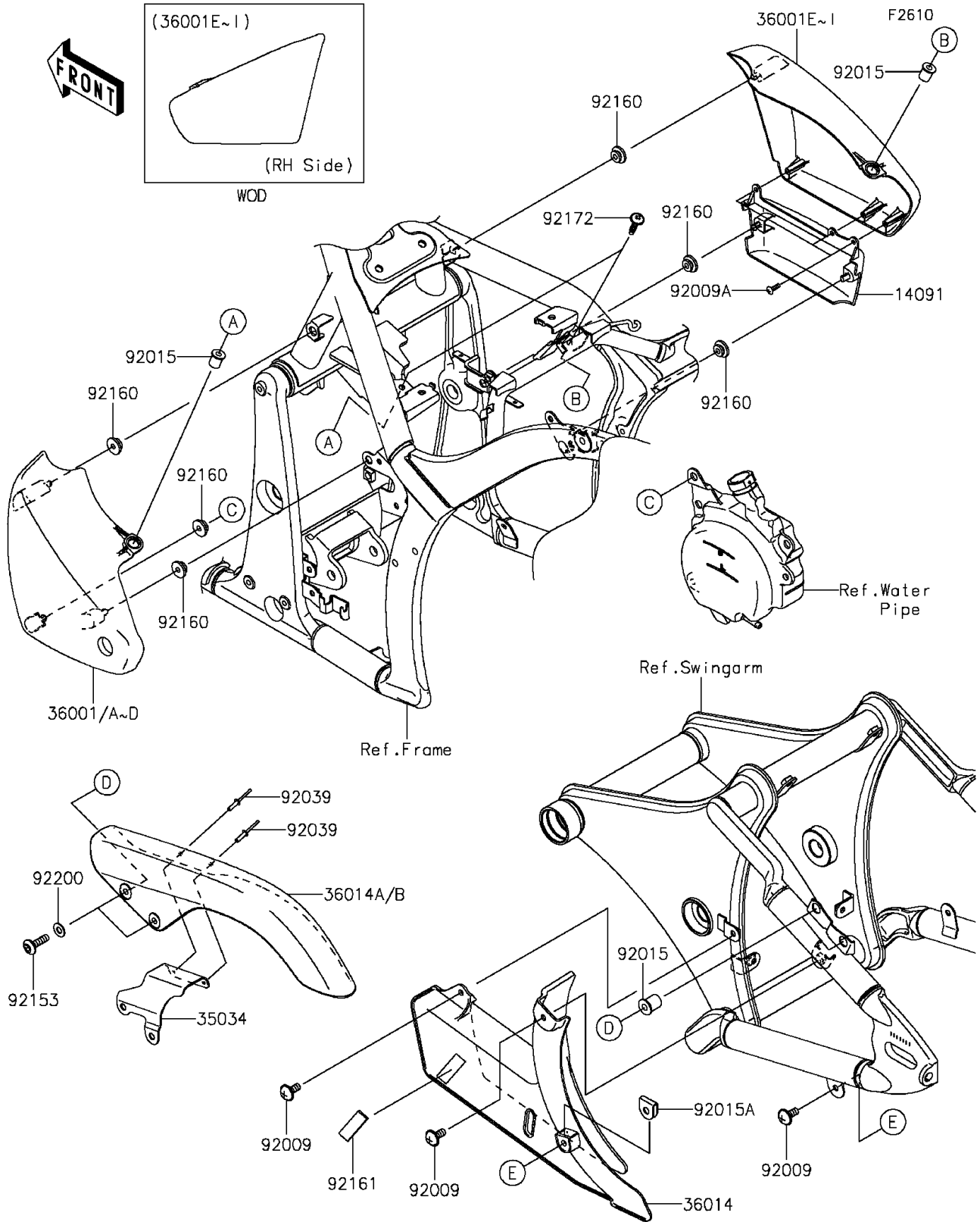


# 2015 VULCAN® 900 CUSTOM PARTS DIAGRAM

## Side Covers/Chain Cover



# 2015 VULCAN® 900 CUSTOM PARTS LIST

Side Covers/Chain Cover

ITEM NAME	PART NUMBER	QUANTITY
-----------	-------------	----------