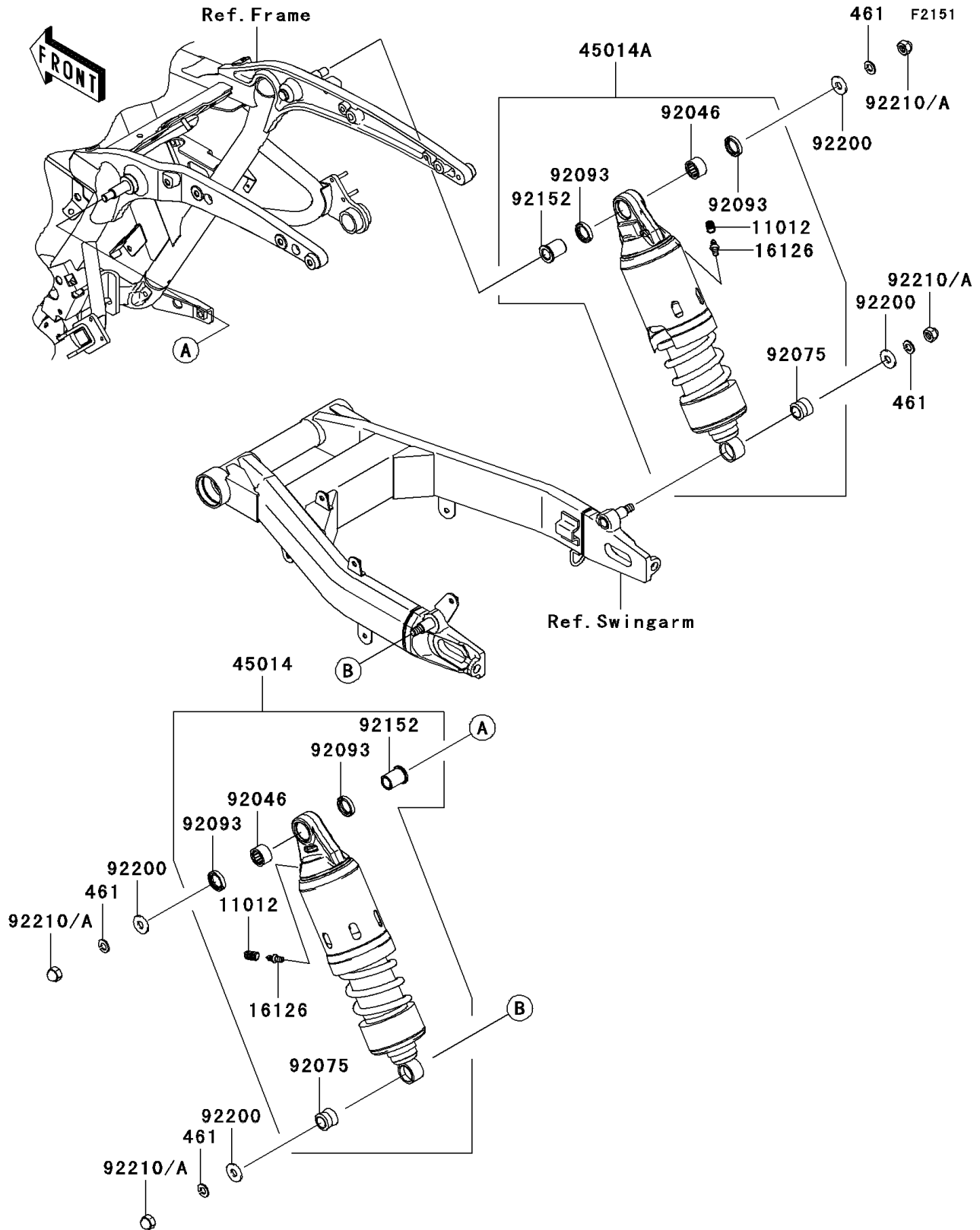


2009 Vulcan® 1700 Classic PARTS DIAGRAM

Suspension/Shock Absorber



2009 Vulcan® 1700 Classic PARTS LIST

Suspension/Shock Absorber

ITEM NAME	PART NUMBER	QUANTITY
-----------	-------------	----------