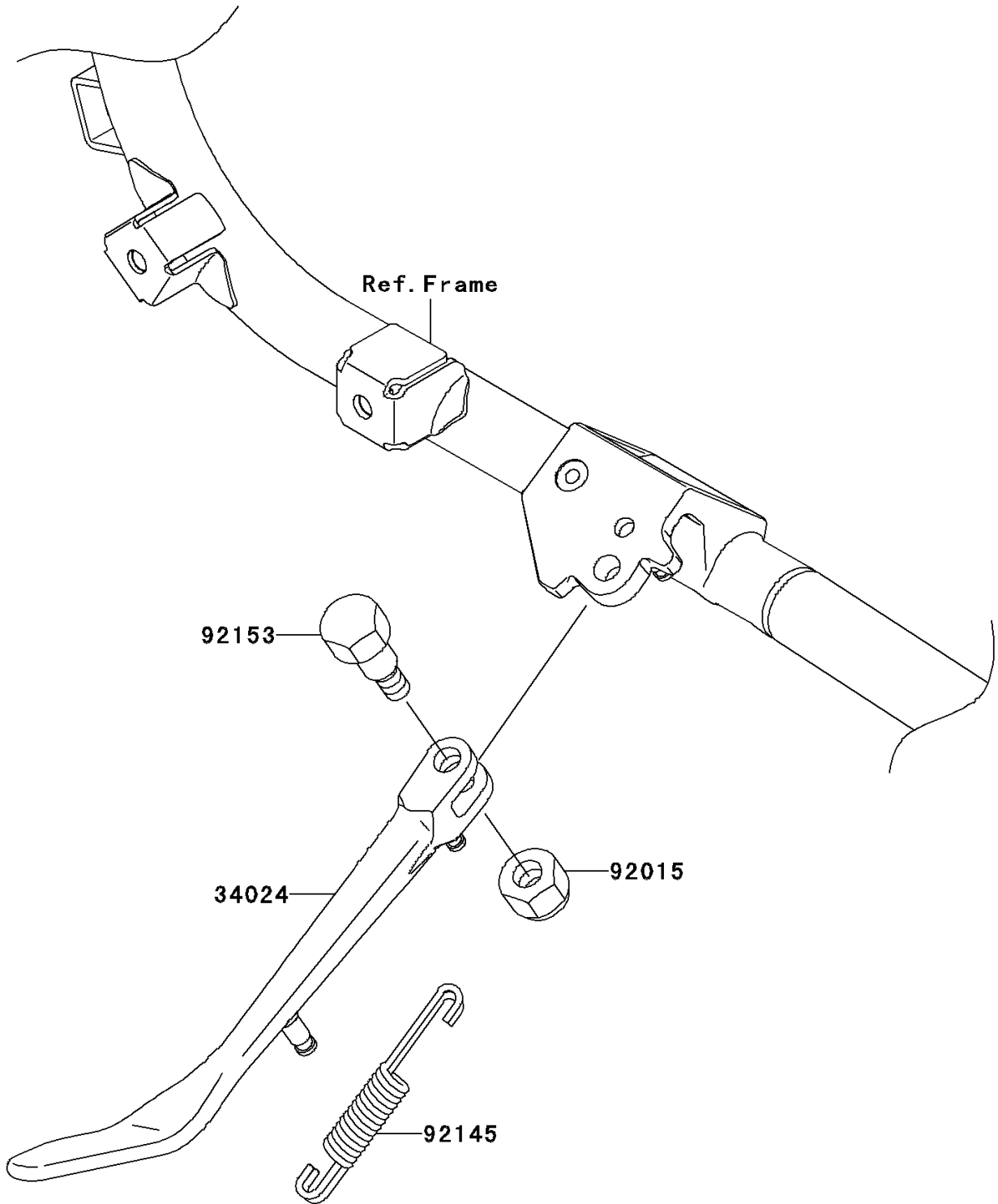


2009 Vulcan® 1700 Classic PARTS DIAGRAM

Stand(s)

F2190



2009 Vulcan® 1700 Classic PARTS LIST

Stand(s)

ITEM NAME	PART NUMBER	QUANTITY
-----------	-------------	----------