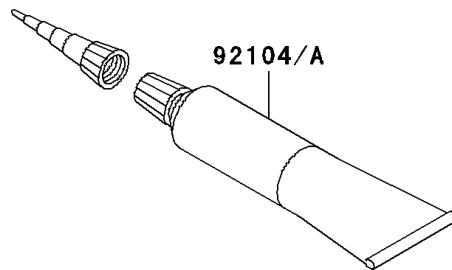
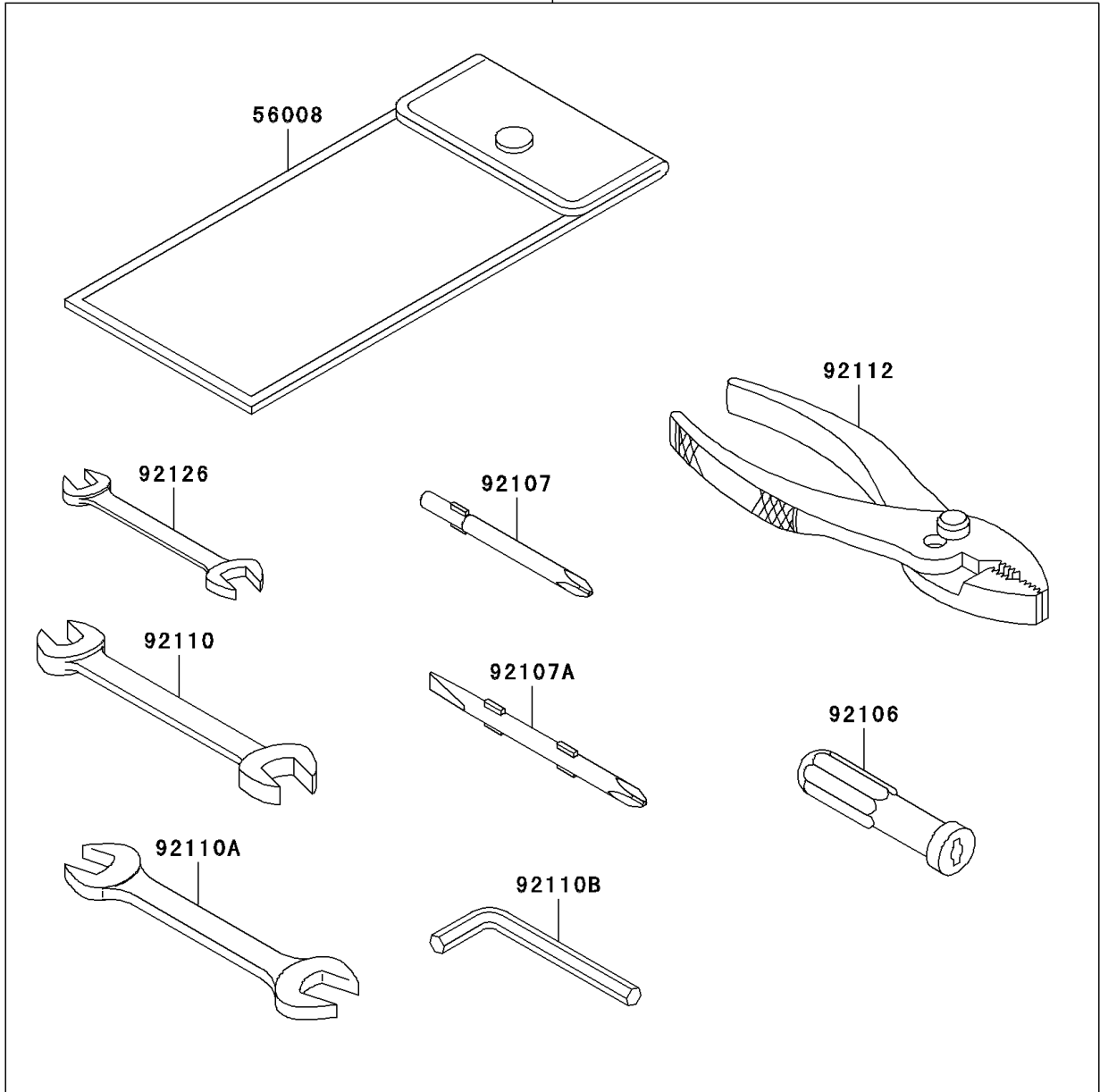


# 2009 Vulcan® 1700 Classic PARTS DIAGRAM

Owner's Tools(E9F/E9FA)

56007

F2810



## 2009 Vulcan® 1700 Classic PARTS LIST

Owner's Tools(E9F/E9FA)

ITEM NAME	PART NUMBER	QUANTITY
TOOL-KIT (Ref # 56007)	56007-0072	1
BAG,TOOL (Ref # 56008)	56008-0001	1
GASKET-LIQUID,TB1211F,CLEAR (Ref # 92104)	92104-0004	1
GASKET-LIQUID,TB1216B,BLACK (Ref # 92104A)	92104-1064	1
GRIP-SCREW DRIVER (Ref # 92106)	92106-1001	1
TOOL-DRIVER,#3PHILLIPS (Ref # 92107)	92107-005	1
TOOL-DRIVER,#2PHILLIPS&SLOT (Ref # 92107A)	92107-1051	1
TOOL-WRENCH,OPEN END,10X12 (Ref # 92110)	92110-1152	1
TOOL-WRENCH,OPEN END,14X17 (Ref # 92110A)	92110-1153	1
TOOL-WRENCH,ALLEN,4MM (Ref # 92110B)	92110-3703	1
TOOL-PLIERS (Ref # 92112)	92112-1001	1
TOOL-WRENCH,OPEN END,8X10 (Ref # 92126)	92126-004	1