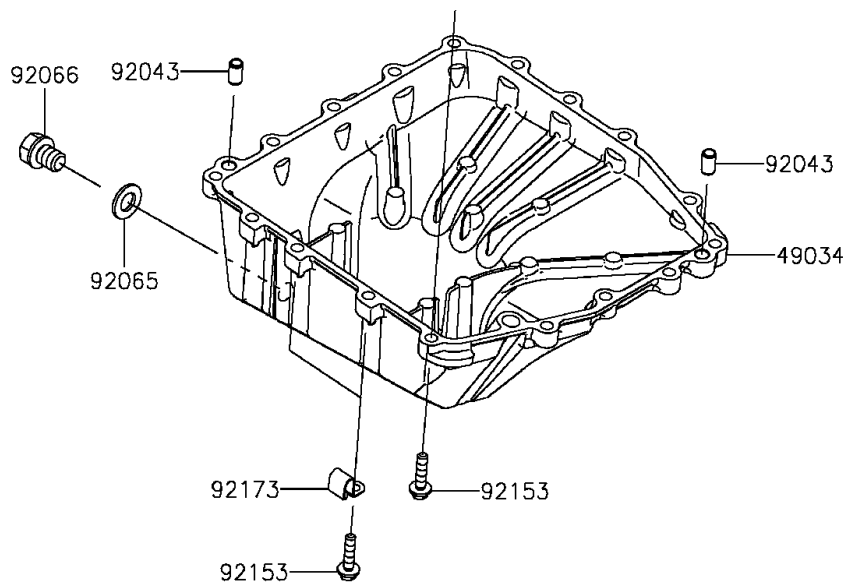
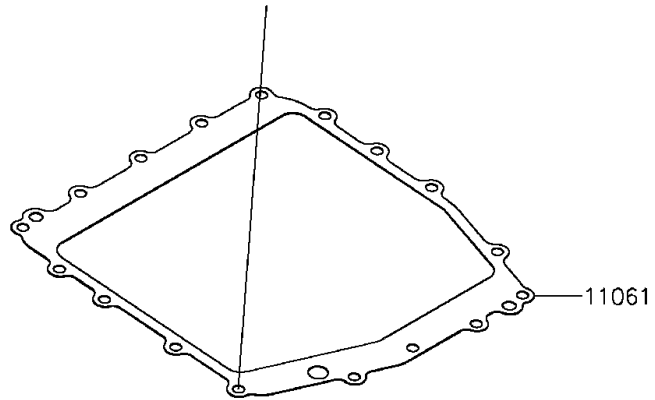
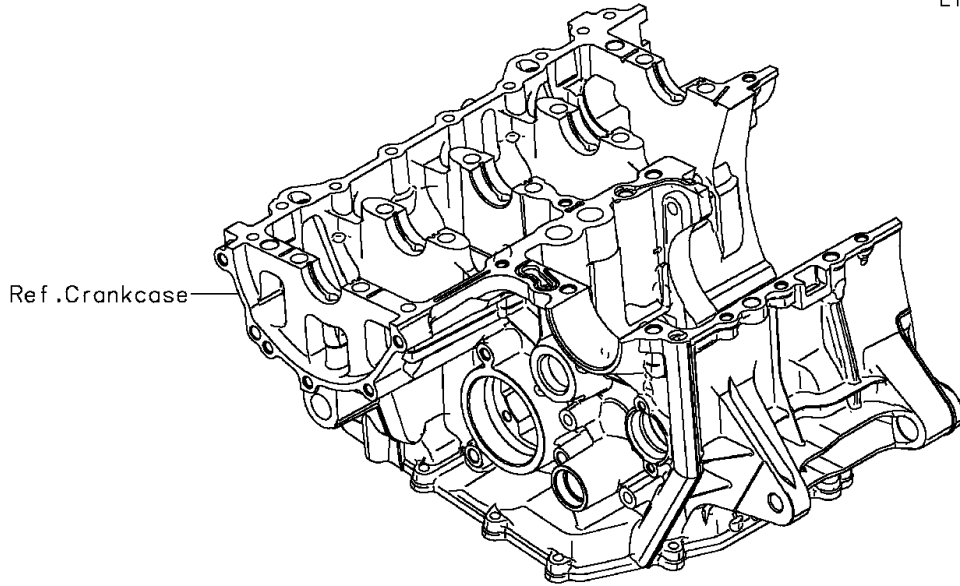


2014 NINJA® ZX™ -6R PARTS DIAGRAM

Oil Pan

E1434



2014 NINJA® ZX™ -6R PARTS LIST

Oil Pan

| ITEM NAME | PART NUMBER | QUANTITY |
|-----------|-------------|----------|
|-----------|-------------|----------|