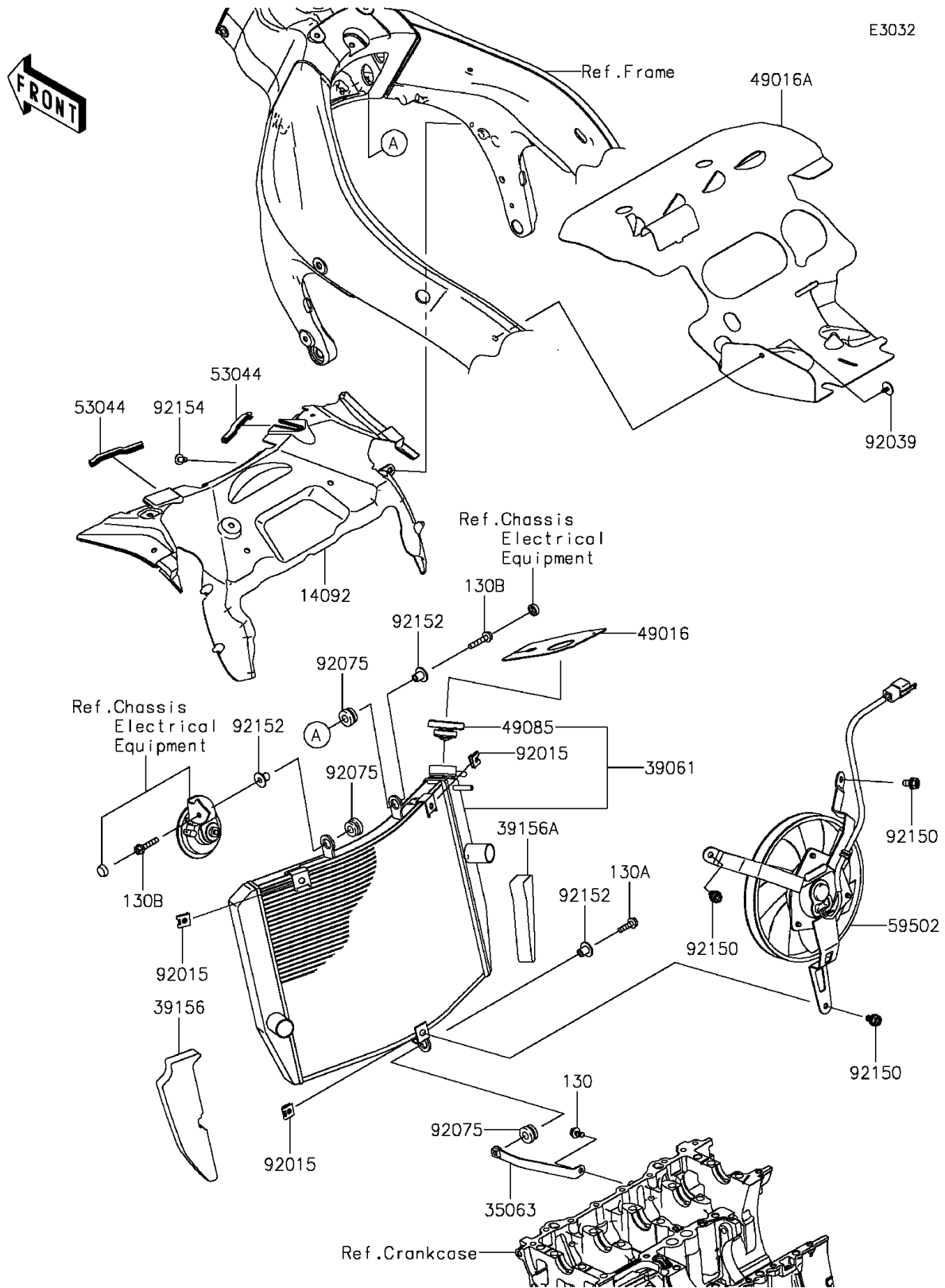


2013 NINJA® ZX™ -6R PARTS DIAGRAM

Radiator



2013 NINJA® ZX™ -6R PARTS LIST

Radiator

| ITEM NAME | PART NUMBER | QUANTITY |
|--|-------------|----------|
| BOLT-FLANGED,6X14 (Ref # 130) | 130CA0614 | 1 |
| BOLT-FLANGED,6X22 (Ref # 130A) | 130CA0622 | 1 |
| BOLT-FLANGED,6X30 (Ref # 130B) | 130CA0630 | 2 |
| COVER,RADIATOR UPP (Ref # 14092) | 14092-1089 | 1 |
| STAY,RADIATOR LOW (Ref # 35063) | 35063-0899 | 1 |
| RADIATOR-ASSY (Ref # 39061) | 39061-0583 | 1 |
| PAD,RADIATOR LH (Ref # 39156) | 39156-0862 | 1 |
| PAD,RADIATOR RH (Ref # 39156A) | 39156-0981 | 1 |
| COVER-SEAL,RESERVOIR UPP (Ref # 49016) | 49016-0603 | 1 |
| COVER-SEAL,ENGINE RR (Ref # 49016A) | 49016-0604 | 1 |
| CAP-ASSY-PRESSURE (Ref # 49085) | 49085-1066 | 1 |
| TRIM (Ref # 53044) | 53044-0018 | 2 |
| FAN-ASSY (Ref # 59502) | 59502-0580 | 1 |
| NUT (Ref # 92015) | 92015-1487 | 3 |
| RIVET (Ref # 92039) | 92039-0065 | 1 |
| DAMPER,RUBBER (Ref # 92075) | 92075-1123 | 3 |
| BOLT,6X12 (Ref # 92150) | 92150-1186 | 3 |
| COLLAR (Ref # 92152) | 92152-0666 | 3 |
| BOLT,SOCKET,6X12 (Ref # 92154) | 92154-0204 | 1 |