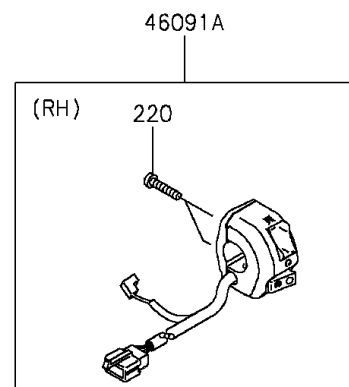
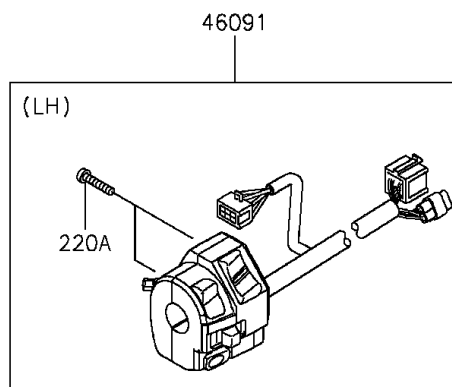
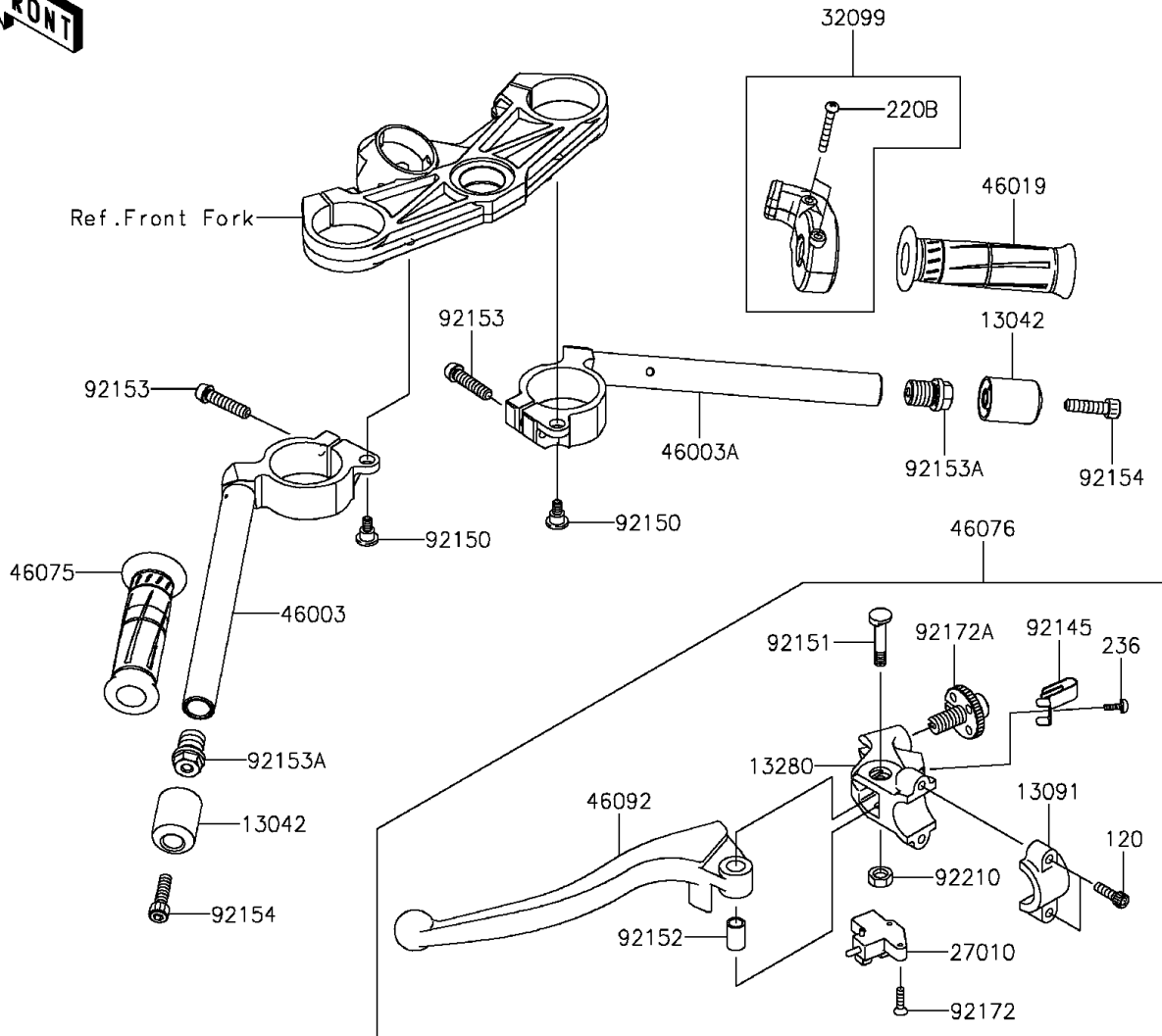


2014 NINJA® ZX™ -6R PARTS DIAGRAM

Handlebar

F2310



2014 NINJA® ZX™ -6R PARTS LIST

Handlebar

ITEM NAME	PART NUMBER	QUANTITY
-----------	-------------	----------