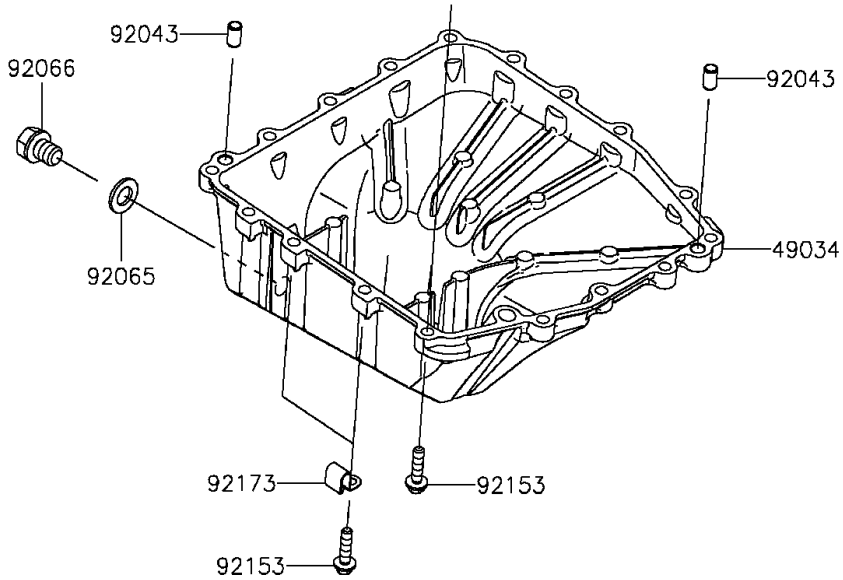
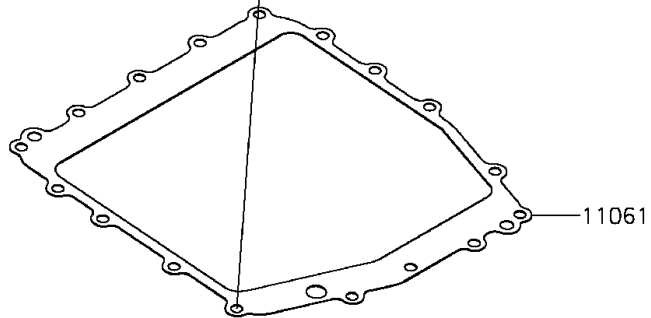
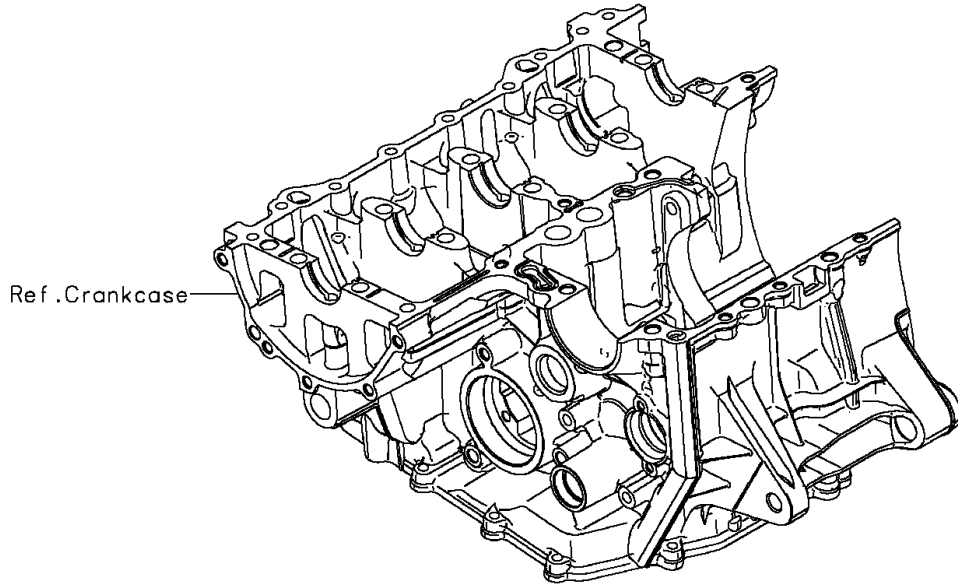


# 2013 NINJA® ZX™ -6R ABS PARTS DIAGRAM

Oil Pan

E1434



## 2013 NINJA® ZX™ -6R ABS PARTS LIST

### Oil Pan

| ITEM NAME                          | PART NUMBER | QUANTITY |
|------------------------------------|-------------|----------|
| GASKET,OIL PAN (Ref # 11061)       | 11061-0253  | 1        |
| PAN-OIL (Ref # 49034)              | 49034-0031  | 1        |
| PIN,6.2X8X14 (Ref # 92043)         | 92043-1263  | 2        |
| GASKET,12X22X2 (Ref # 92065)       | 92065-097   | 1        |
| PLUG,OIL DRAIN,12X15 (Ref # 92066) | 92066-1174  | 1        |
| BOLT,FLANGED,6X25 (Ref # 92153)    | 92153-1569  | 17       |
| CLAMP (Ref # 92173)                | 92173-0082  | 2        |