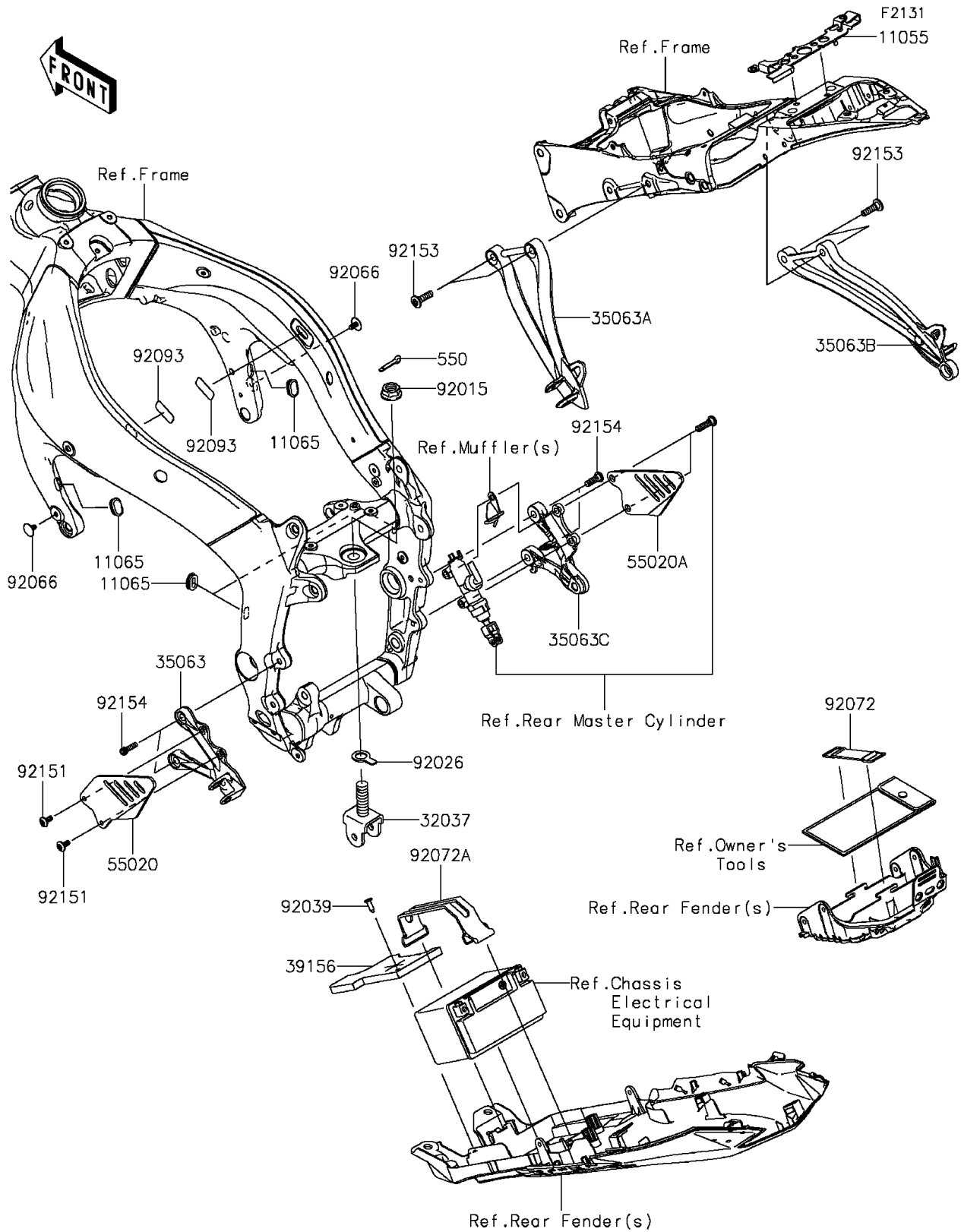


2014 NINJA® ZX™ -6R ABS PARTS DIAGRAM

Frame Fittings



2014 NINJA® ZX™ -6R ABS PARTS LIST

Frame Fittings

| ITEM NAME | PART NUMBER | QUANTITY |
|-------------------------------------|----------------|----------|
| PIN-COTTER,3X25 (Ref # 550) | 550S3025 | 1 |
| BRACKET,HELMET HOLDER (Ref # 11055) | 11055-1011 | 1 |
| CAP (Ref # 11065) | 11065-0095 | 4 |
| BRACKET-SHOCKABSORBER (Ref # 32037) | 32037-1887 | 1 |
| STAY,FR,LH,F.S.BLACK (Ref # 35063) | 35063-0160-18R | 1 |
| STAY,RR,LH,F.S.BLACK (Ref # 35063A) | 35063-0444-18R | 1 |
| STAY,RR,RH,F.S.BLACK (Ref # 35063B) | 35063-0445-18R | 1 |
| STAY,FR,RH,F.S.BLACK (Ref # 35063C) | 35063-0590-18R | 1 |
| PAD (Ref # 39156) | 39156-1000 | 1 |
| GUARD,HEEL,LH (Ref # 55020) | 55020-0859 | 1 |
| GUARD,HEEL,RH (Ref # 55020A) | 55020-0860 | 1 |
| NUT,FLANGED,16MM (Ref # 92015) | 92015-1881 | 1 |
| SPACER,16.5X26X2 (Ref # 92026) | 92026-0747 | 1 |
| RIVET (Ref # 92039) | 92039-0068 | 1 |
| PLUG,6X17 (Ref # 92066) | 92066-0751 | 2 |
| BAND (Ref # 92072) | 92072-012 | 1 |
| BAND,L=168 (Ref # 92072A) | 92072-1306 | 1 |
| SEAL (Ref # 92093) | 92093-0154 | 2 |
| BOLT,SOCKET,6X14 (Ref # 92151) | 92151-1654 | 2 |
| BOLT,SOCKET,8X30 (Ref # 92153) | 92153-1630 | 4 |
| BOLT,SOCKET,8X25 (Ref # 92154) | 92154-1149 | 4 |