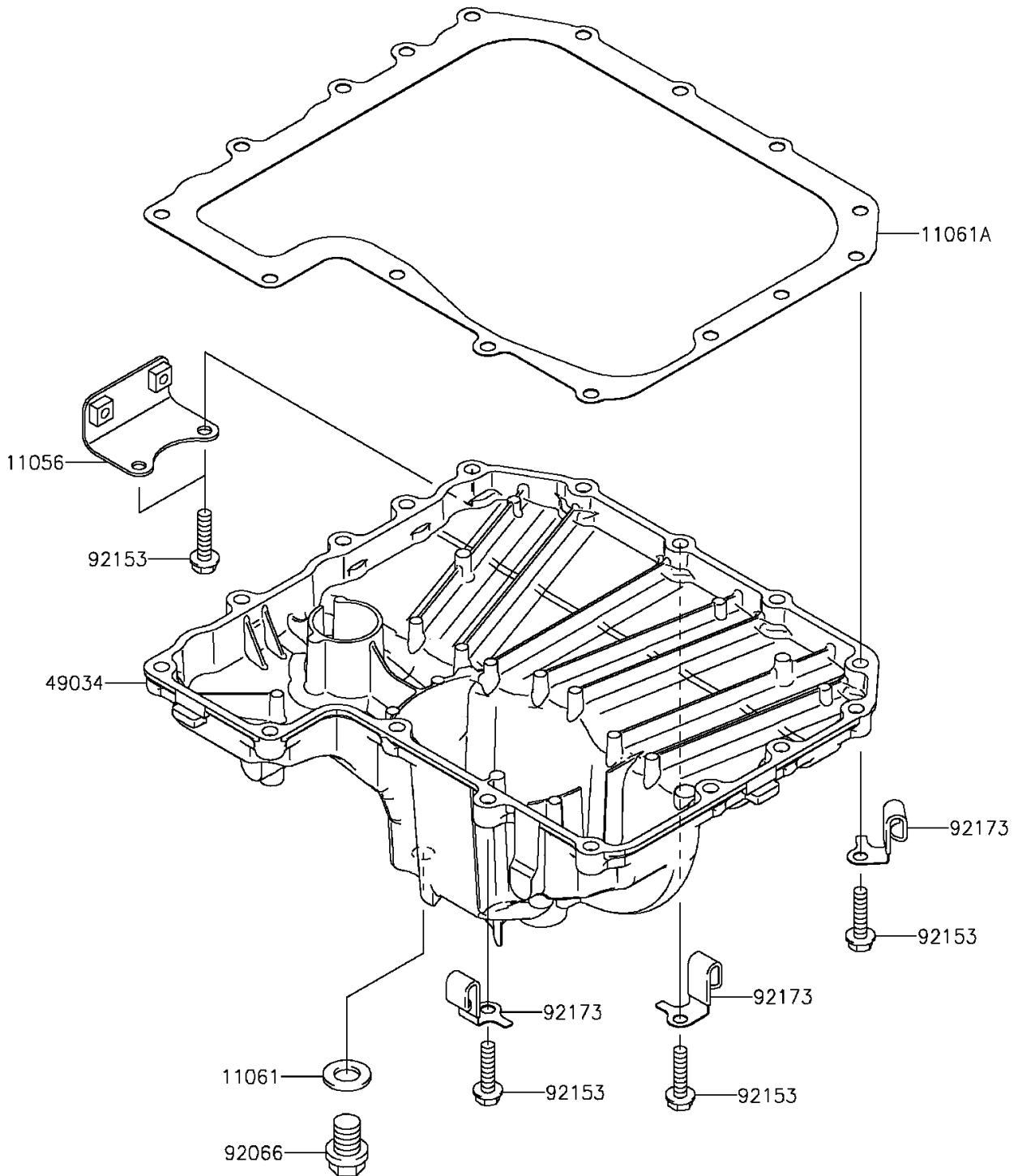


2015 ZR800 (European) PARTS DIAGRAM

Oil Pan

E1434



2015 ZR800 (European) PARTS LIST

Oil Pan

| ITEM NAME | PART NUMBER | QUANTITY |
|------------------------------------|-------------|----------|
| BRACKET,LWR COWLING (Ref # 11056) | 11056-1756 | 1 |
| GASKET,12X22X2 (Ref # 11061) | 11061-0417 | 1 |
| GASKET,OIL PAN (Ref # 11061A) | 11061-0789 | 1 |
| PAN-OIL (Ref # 49034) | 49034-0554 | 1 |
| PLUG,OIL DRAIN,12X15 (Ref # 92066) | 92066-0767 | 1 |
| BOLT,FLANGED,6X25 (Ref # 92153) | 92153-1569 | 16 |
| CLAMP (Ref # 92173) | 92173-1033 | 3 |