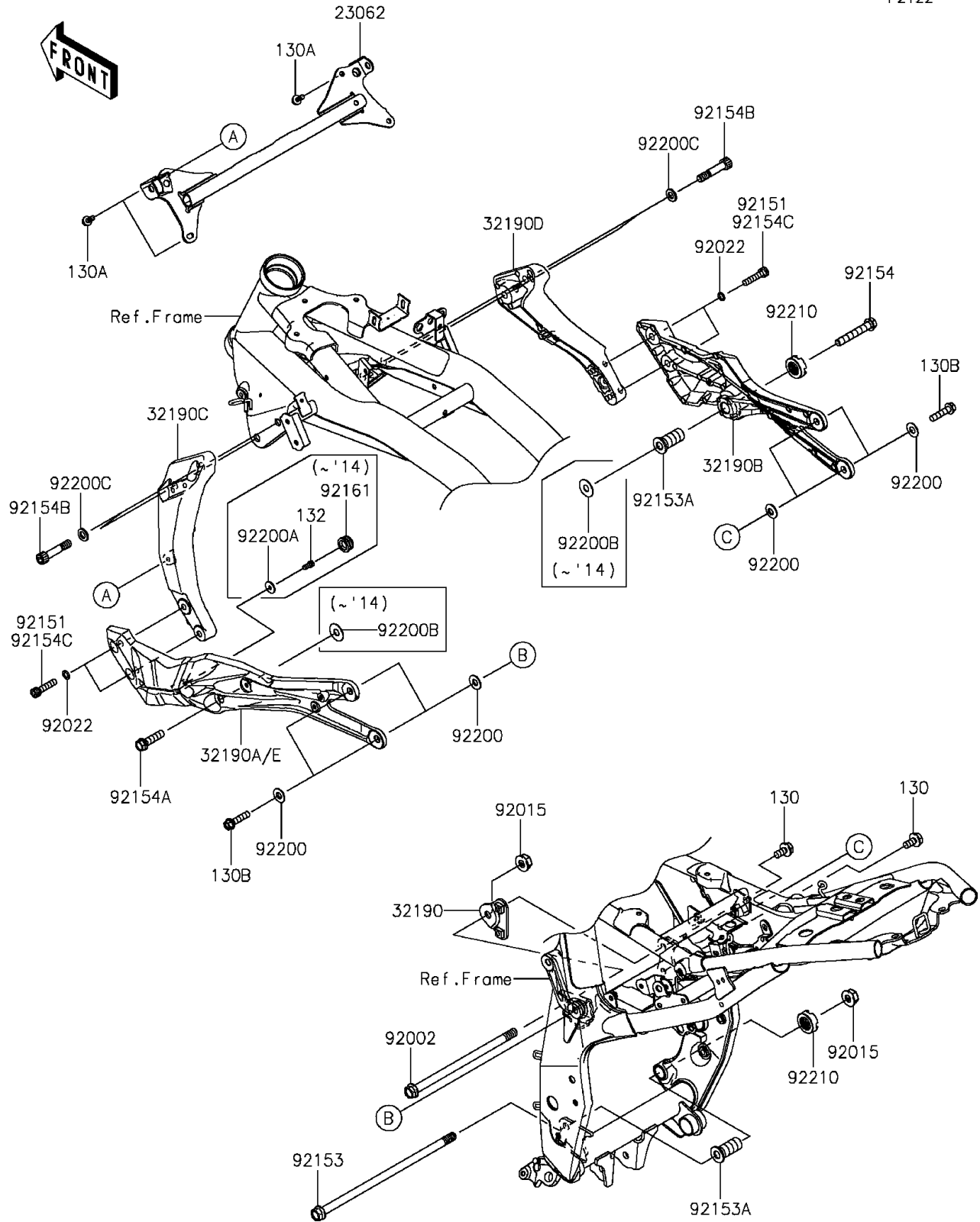


2015 ZR800 (European) PARTS DIAGRAM

Engine Mount

F2122



2015 ZR800 (European) PARTS LIST

Engine Mount

ITEM NAME	PART NUMBER	QUANTITY
-----------	-------------	----------