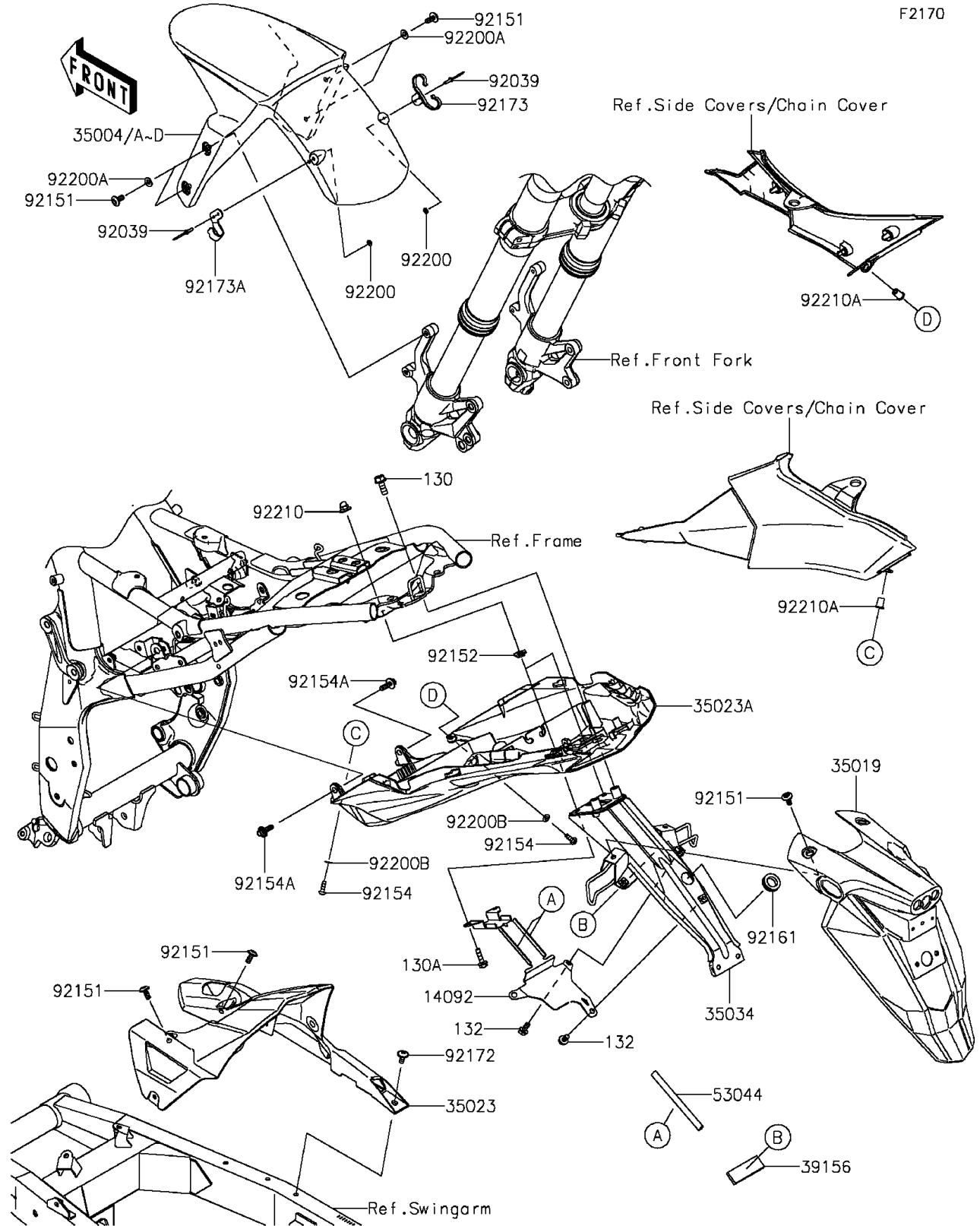


2015 ZR800 (European) PARTS DIAGRAM

Fenders



2015 ZR800 (European) PARTS LIST

Fenders

| ITEM NAME | PART NUMBER | QUANTITY |
|-----------|-------------|----------|
|-----------|-------------|----------|