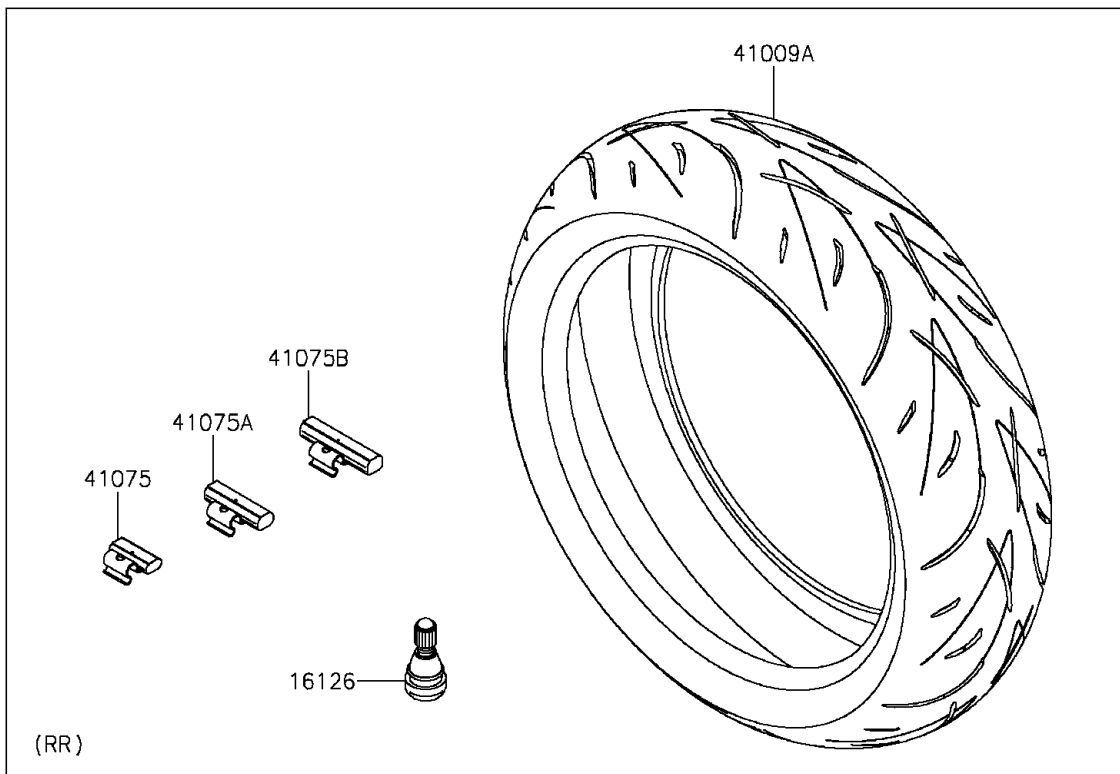
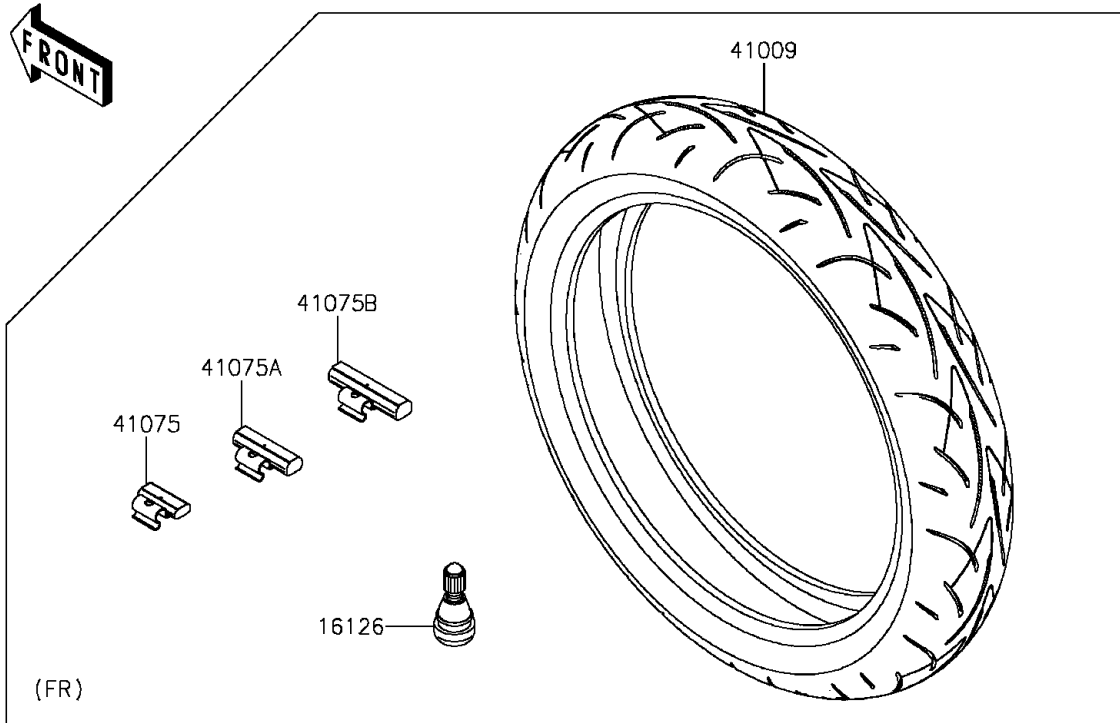


# 2015 ZR800 (European) PARTS DIAGRAM

Tires

F2210



## 2015 ZR800 (European) PARTS LIST

### Tires

ITEM NAME	PART NUMBER	QUANTITY
VALVE,TIRE (Ref # 16126)	16126-1140	2
TIRE,FR,120/70ZR17(58W),D214F (Ref # 41009)	41009-0525	1
TIRE,RR,180/55ZR17(73W),D214 (Ref # 41009A)	41009-0526	1
BALANCER-WHEEL,10G,SILVER (Ref # 41075)	41075-0007	AR
BALANCER-WHEEL,20G,SILVER (Ref # 41075A)	41075-0008	AR
BALANCER-WHEEL,30G,SILVER (Ref # 41075B)	41075-0009	AR