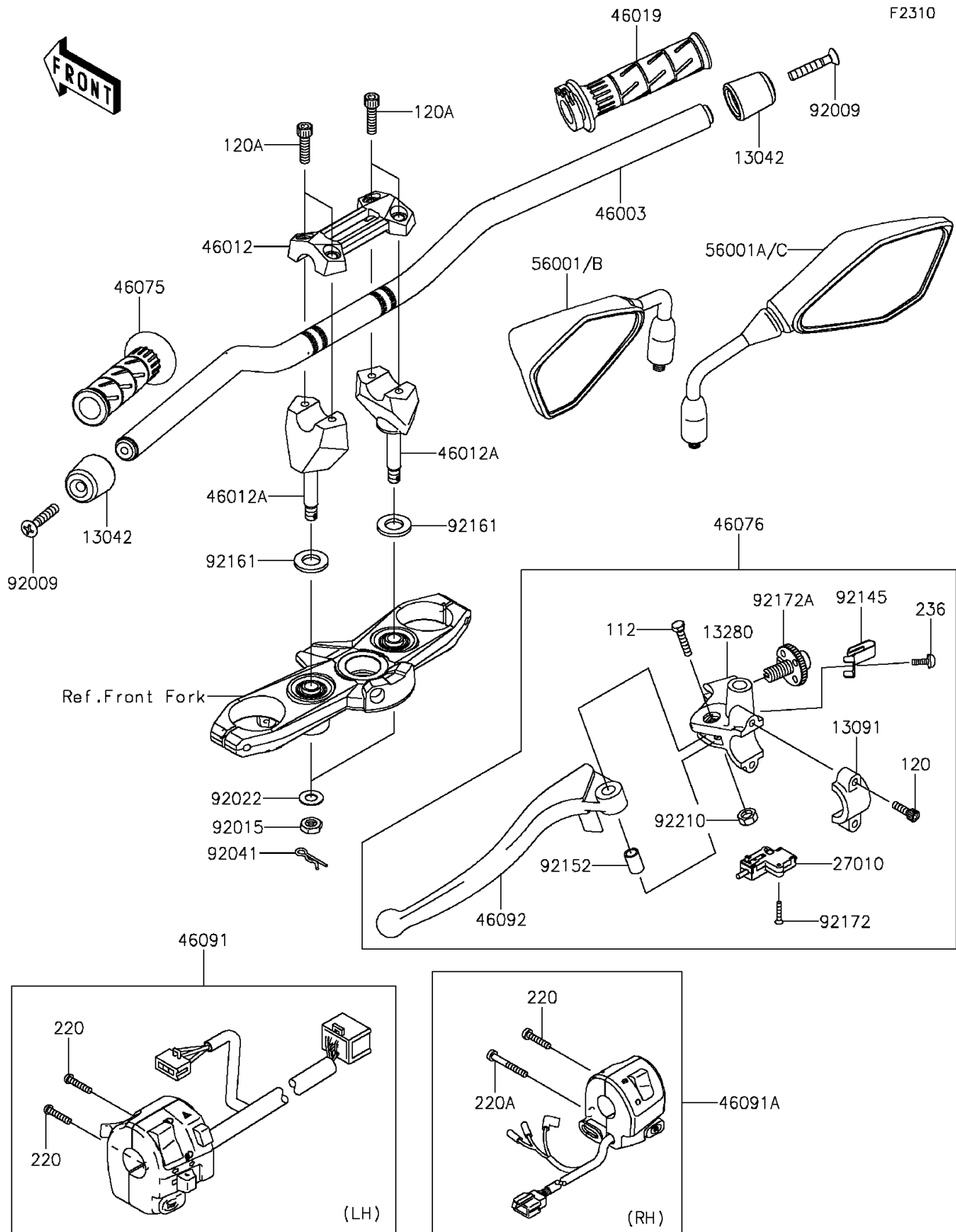


# 2015 ZR800 (European) PARTS DIAGRAM

Handlebar



## 2015 ZR800 (European) PARTS LIST

### Handlebar

ITEM NAME	PART NUMBER	QUANTITY
BOLT-UPSET,6X30 (Ref # 112)	112BB0630	1
BOLT-SOCKET,6X20 (Ref # 120)	120CB0620	2
BOLT-SOCKET,8X30 (Ref # 120A)	120CC0830	4
SCREW-PAN-CROS,5X25 (Ref # 220)	220AB0525	3
SCREW-PAN-CROS,5X40 (Ref # 220A)	220AB0540	1
SCREW-PAN-WSP-CROS,4X10 (Ref # 236)	236AB0410	1
WEIGHT,HANDLE (Ref # 13042)	13042-1005	2
HOLDER,CLUTCH LEVER (Ref # 13091)	13091-1624	1
HOLDER,CLUTCH LEVER (Ref # 13280)	13280-0017	1
SWITCH,CLUTCH (Ref # 27010)	27010-0729	1
HANDLE,F.S.BLACK (Ref # 46003)	46003-0583-18R	1
HOLDER-HANDLE,UPP (Ref # 46012)	46012-0314	1
HOLDER-HANDLE,LWR (Ref # 46012A)	46012-0315	2
GRIP-ASSY,THROTTLE (Ref # 46019)	46019-0060	1
GRIP,HANDLE,LH (Ref # 46075)	46075-0564	1
LEVER-ASSY-GRIP,CLUTCH (Ref # 46076)	46076-0080	1
HOUSING-ASSY-CONTROL,LH (Ref # 46091)	46091-0248	1
HOUSING-ASSY-CONTROL,RH (Ref # 46091A)	46091-0257	1
LEVER-GRIP,CLUTCH (Ref # 46092)	46092-0003	1
MIRROR-ASSY,LH (Ref # 56001B)	56001-0299	1
MIRROR-ASSY,RH (Ref # 56001C)	56001-0300	1
SCREW,8X45 (Ref # 92009)	92009-1257	2
NUT,LOCK,10MM (Ref # 92015)	92015-1962	2
WASHER,10.2X28X2 (Ref # 92022)	92022-1088	2
COTTER,8MM (Ref # 92041)	92041-1060	2
SPRING (Ref # 92145)	92145-1286	1
COLLAR (Ref # 92152)	92152-0103	1
DAMPER (Ref # 92161)	92161-0037	2
SCREW,3X16 (Ref # 92172)	92172-0183	2

## 2015 ZR800 (European) PARTS LIST

### Handlebar

ITEM NAME	PART NUMBER	QUANTITY
SCREW,ADJUST NUT (Ref # 92172A)	92172-1060	1
NUT,LOCK,6MM (Ref # 92210)	92210-0006	1