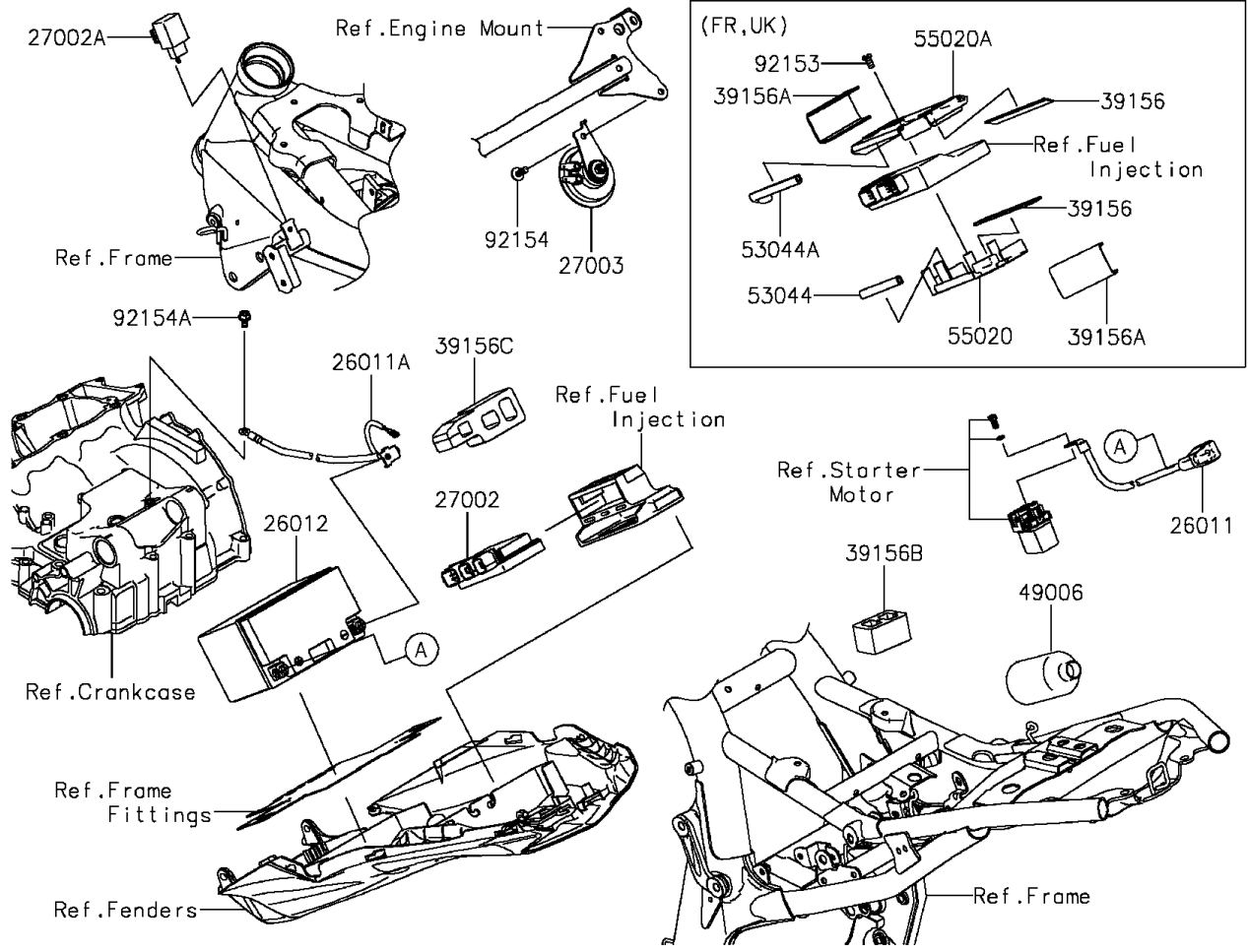
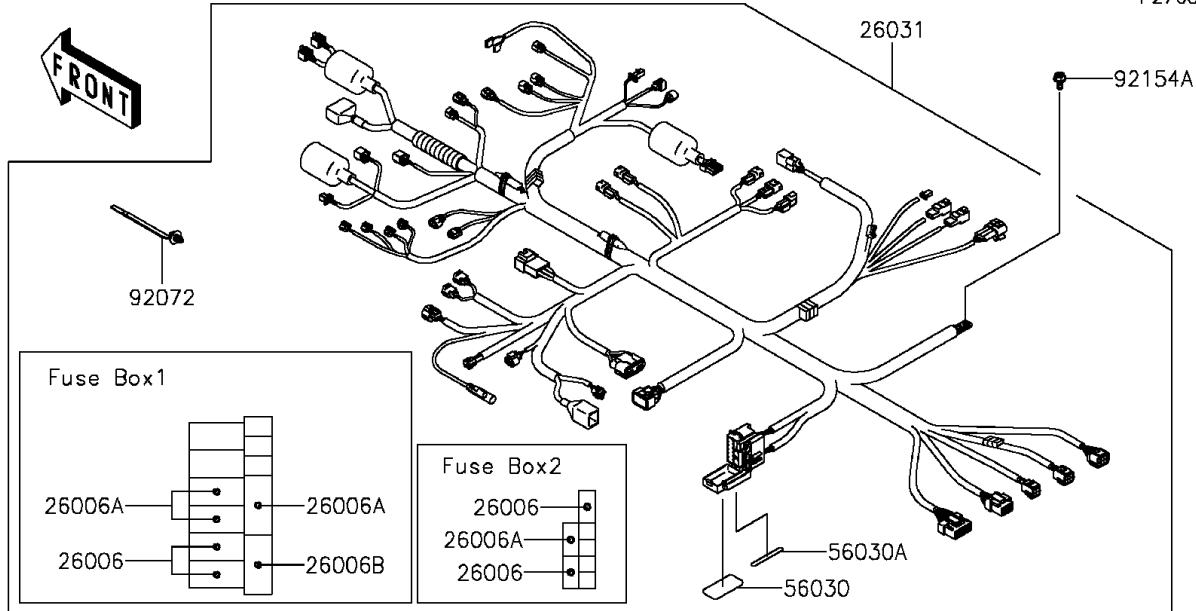


# 2015 ZR800 (European) PARTS DIAGRAM

## Chassis Electrical Equipment

F2760



## 2015 ZR800 (European) PARTS LIST

### Chassis Electrical Equipment

ITEM NAME	PART NUMBER	QUANTITY
FUSE,MINI BLADE,15A,BLUE (Ref # 26006)	26006-0001	4
FUSE,MINI BLADE,7.5A,BROWN (Ref # 26006A)	26006-0055	4
FUSE,MINI BLADE,30A,GREEN (Ref # 26006B)	26006-1080	1
WIRE-LEAD,BATTERY(+) (Ref # 26011)	26011-0764	1
WIRE-LEAD,BATTERY(-) (Ref # 26011A)	26011-0810	1
BATTERY,FTX9-BS,12V 8AH (Ref # 26012)	26012-0610	1
HARNESS,MAIN (Ref # 26031)	26031-1531	1
RELAY-ASSY (Ref # 27002)	27002-0007	1
RELAY-ASSY,SIGNAL LAMP (Ref # 27002A)	27002-1097	1
HORN (Ref # 27003)	27003-0094	1
PAD,FUEL GAUGE (Ref # 39156B)	39156-0948	1
PAD,DIAG (Ref # 39156C)	39156-0988	1
BOOT (Ref # 49006)	49006-0573	1
LABEL,FUSE BOX 1 (Ref # 56030)	56030-0737	1
LABEL,FUSE BOX 2 (Ref # 56030A)	56030-0784	1
BAND (Ref # 92072)	92072-1414	17
BOLT,SOCKET,6X18 (Ref # 92154)	92154-1026	1
BOLT,FLANGED,6X12 (Ref # 92154A)	92154-1050	2
PAD,FUEL TANK COVER (Ref # 39156)	39156-0096	2
PAD,ECU GUARD (Ref # 39156A)	39156-0291	2
TRIM (Ref # 53044)	53044-0567	1
TRIM (Ref # 53044A)	53044-0568	1
GUARD,ECU,UNDER (Ref # 55020)	55020-0869	1
GUARD,ECU,TOP (Ref # 55020A)	55020-0870	1
BOLT,6X12 (Ref # 92153)	92153-0906	4