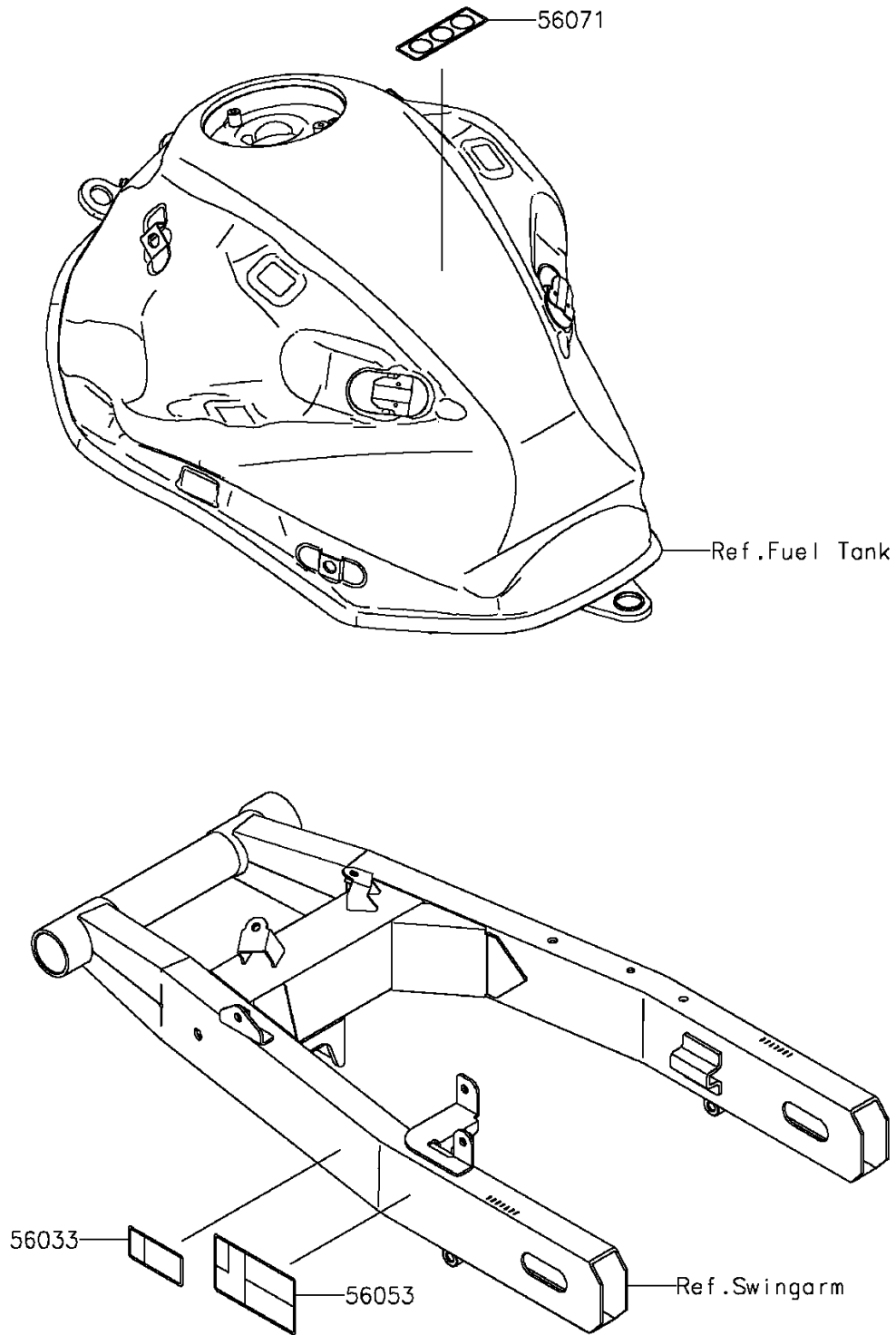


2015 ZR800 (European) PARTS DIAGRAM

Labels

F2860



2015 ZR800 (European) PARTS LIST

Labels

ITEM NAME	PART NUMBER	QUANTITY
-----------	-------------	----------