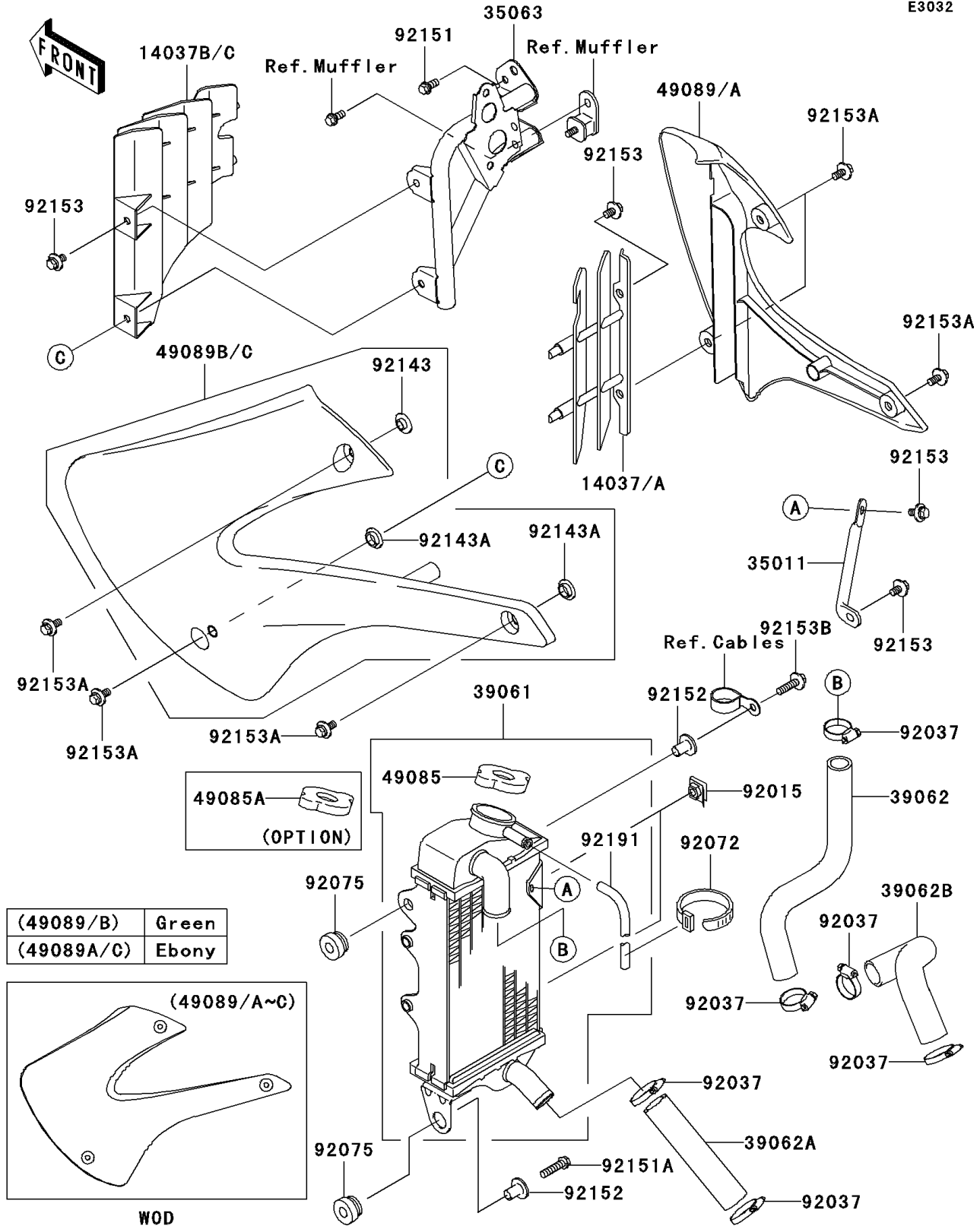


2009 KX™100 PARTS DIAGRAM

Radiator

E3032



2009 KX™100 PARTS LIST

Radiator

ITEM NAME	PART NUMBER	QUANTITY
SCREEN,RH,BLACK (Ref # 14037A)	14037-1249-6D	1
SCREEN,LH,BLACK (Ref # 14037C)	14037-1282-6D	1
STAY (Ref # 35011)	35011-1845	1
STAY (Ref # 35063)	35063-1137	1
RADIATOR-ASSY (Ref # 39061)	39061-1245	1
HOSE-COOLING,HEAD-RADIATOR (Ref # 39062)	39062-1425	1
HOSE-COOLING,RADIATOR-PUMP (Ref # 39062A)	39062-1711	1
HOSE-COOLING,CYLINDER PUMP (Ref # 39062B)	39062-1712	1
CAP-ASSY-PRESSURE,P1.1 (Ref # 49085)	49085-1070	1
CAP-ASSY-PRESSURE,P1.6 (Ref # 49085A)	49085-1073	1
SHROUD-ENGINE,RH,EBONY (Ref # 49089A)	49089-1139-6C	1
SHROUD-ENGINE,LH,EBONY (Ref # 49089C)	49089-1146-6C	1
NUT (Ref # 92015)	92015-1487	2
CLAMP,COOLING HOSE (Ref # 92037)	92037-1589	6
BAND,L=186 (Ref # 92072)	92072-056	1
DAMPER (Ref # 92075)	92075-1352	2
COLLAR (Ref # 92143)	92143-1087	1
COLLAR (Ref # 92143A)	92143-1196	2
BOLT,6X12 (Ref # 92151)	92151-1133	1
BOLT,FLANGED-SMALL,6X25 (Ref # 92151A)	92151-1930	1
COLLAR (Ref # 92152)	92152-0666	2
BOLT,6X12 (Ref # 92153)	92153-0503	4
BOLT,FLANGED,6X14 (Ref # 92153A)	92153-0936	6
BOLT,FLANGED WP,6X25 (Ref # 92153B)	92153-1008	1
TUBE,6X9X700 (Ref # 92191)	92191-1211	1