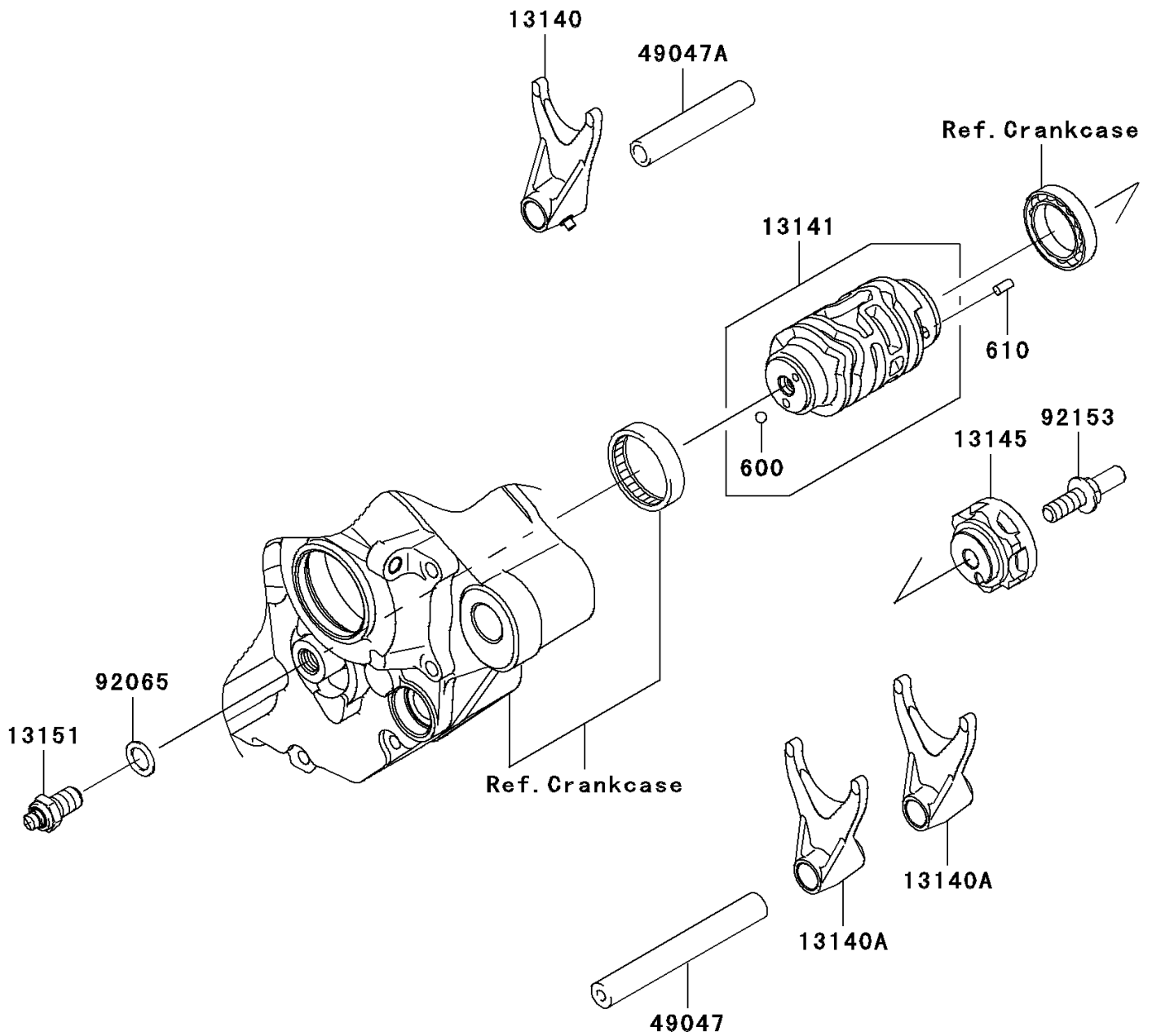


2010 KX™ 250F PARTS DIAGRAM

Gear Change Drum/Shift Fork(s)

E1362



2010 KX™ 250F PARTS LIST

Gear Change Drum/Shift Fork(s)

ITEM NAME	PART NUMBER	QUANTITY
BALL-STEEL,7/32" (Ref # 600)	600A0700	1
ROLLER,4X8 (Ref # 610)	610A0408	1
FORK-SHIFT,IN (Ref # 13140)	13140-0056	1
FORK-SHIFT,OUT (Ref # 13140A)	13140-0057	2
DRUM-CHANGE (Ref # 13141)	13141-0052	1
CAM-CHANGE DRUM (Ref # 13145)	13145-0031	1
SWITCH-COMP,NEUTRAL (Ref # 13151)	13151-0006	1
ROD-SHIFT,OUTPUT,L=94.5 (Ref # 49047)	49047-0003	1
ROD-SHIFT,INPUT,L=63 (Ref # 49047A)	49047-0004	1
GASKET,10.5X16X1 (Ref # 92065)	92065-058	1
BOLT (Ref # 92153)	92153-1735	1