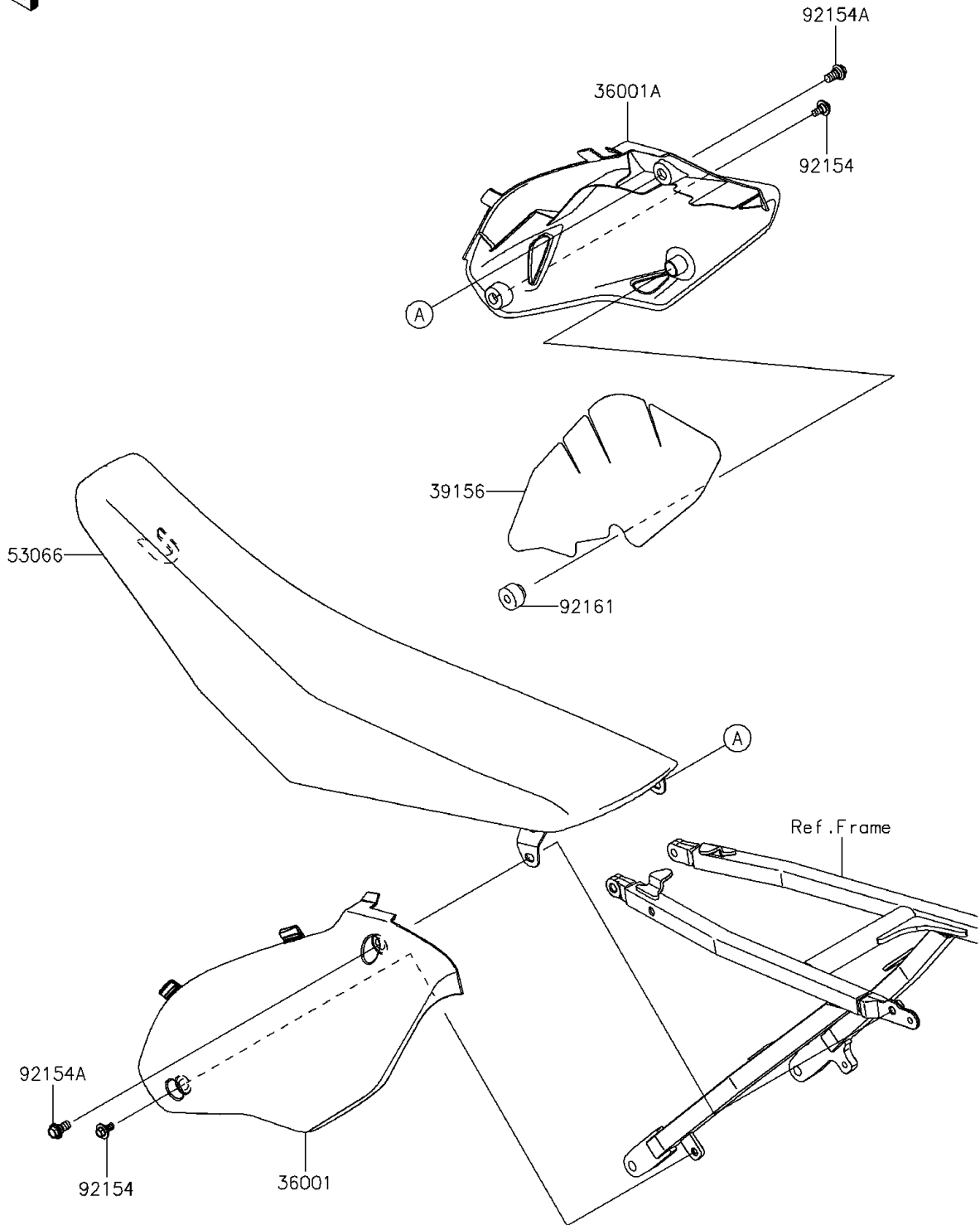


# 2015 KX™ 450F PARTS DIAGRAM

Side Covers

F2611



## 2015 KX™ 450F PARTS LIST

### Side Covers

ITEM NAME	PART NUMBER	QUANTITY
COVER-SIDE,LH,B.WHITE (Ref # 36001)	36001-0598-266	1
COVER-SIDE,RH,B.WHITE (Ref # 36001A)	36001-0600-266	1
PAD,SIDE COVER,RH (Ref # 39156)	39156-0677	1
SEAT-ASSY,GREEN/BLACK (Ref # 53066)	53066-0481-49F	1
BOLT,FLANGED,6X9 (Ref # 92154)	92154-0546	2
BOLT,FLANGED,8X16 (Ref # 92154A)	92154-0547	2
DAMPER (Ref # 92161)	92161-0073	1