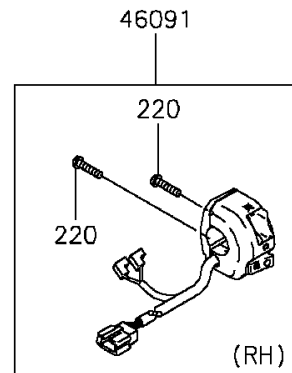
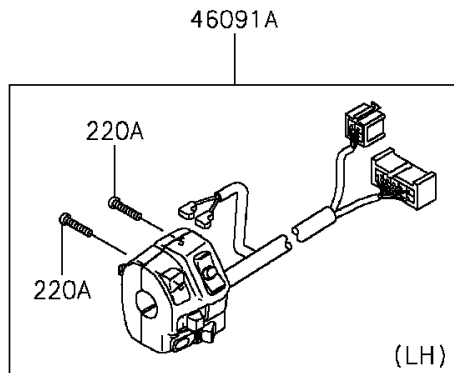
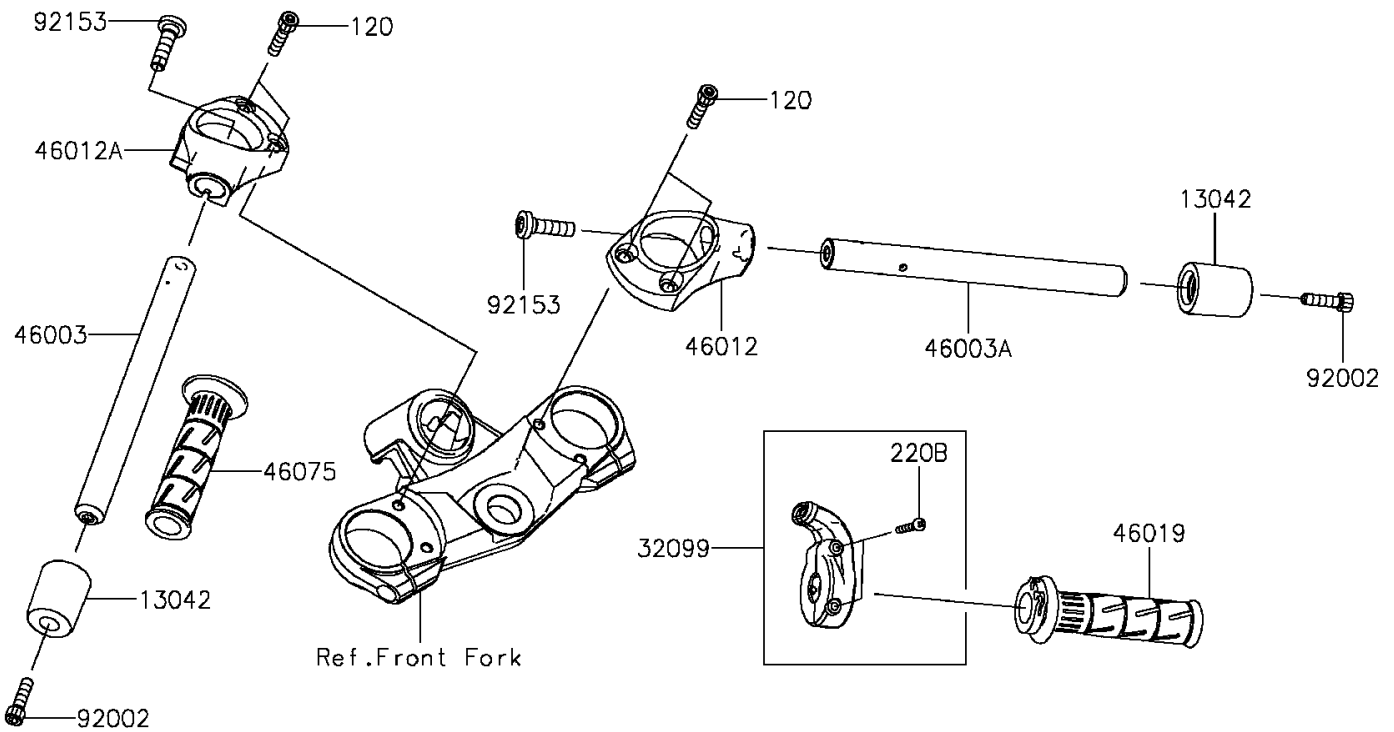


2015 NINJA® ZX™-14R ABS PARTS DIAGRAM

Handlebar

F2310



2015 NINJA® ZX™ -14R ABS PARTS LIST

Handlebar

ITEM NAME	PART NUMBER	QUANTITY
-----------	-------------	----------