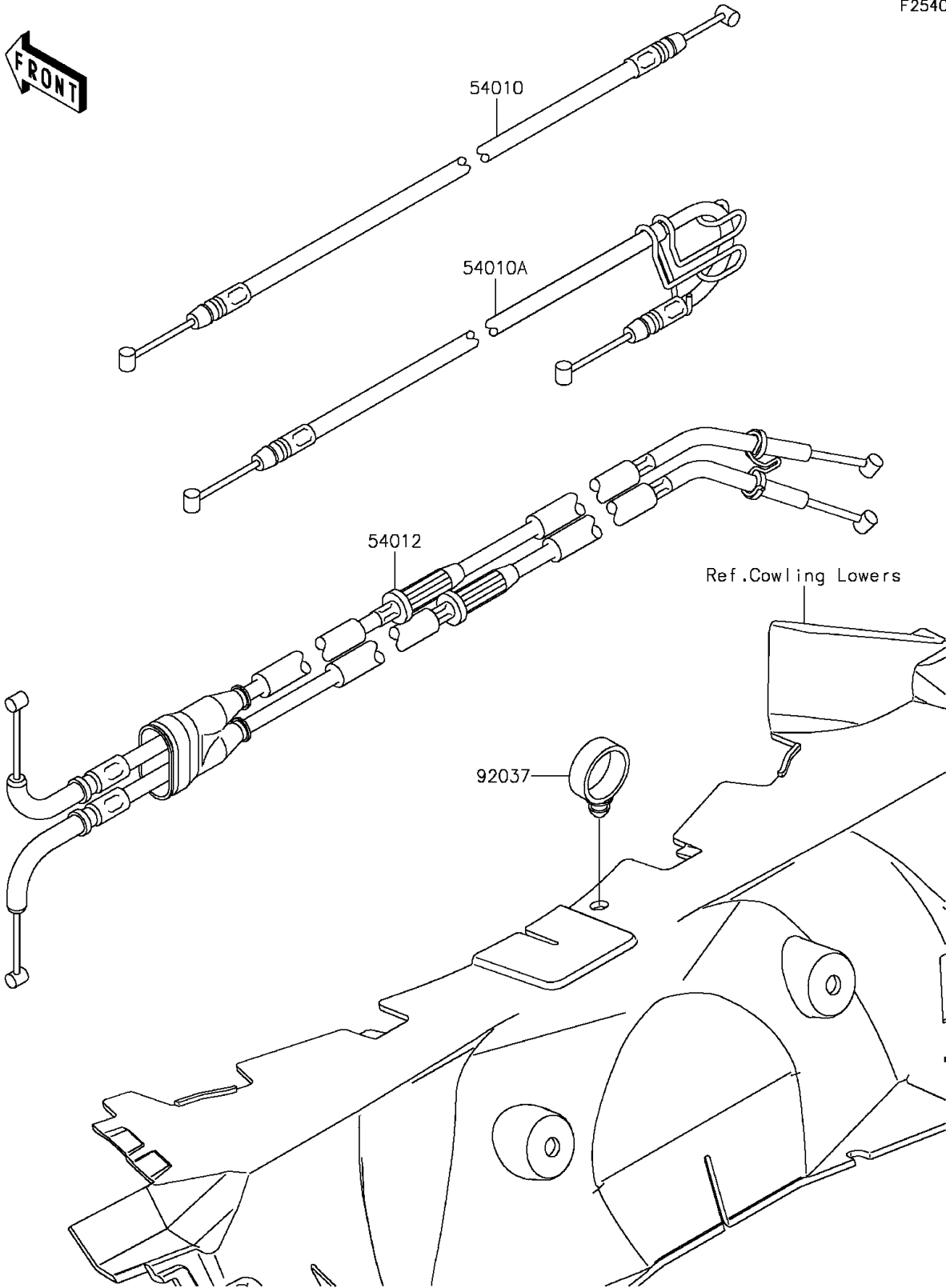


# 2015 NINJA® ZX™ -14R ABS 30TH ANNIVERSARY PARTS DIAGRAM

Cables

F2540



# 2015 NINJA® ZX™ -14R ABS 30TH ANNIVERSARY PARTS LIST

## Cables

ITEM NAME	PART NUMBER	QUANTITY
-----------	-------------	----------