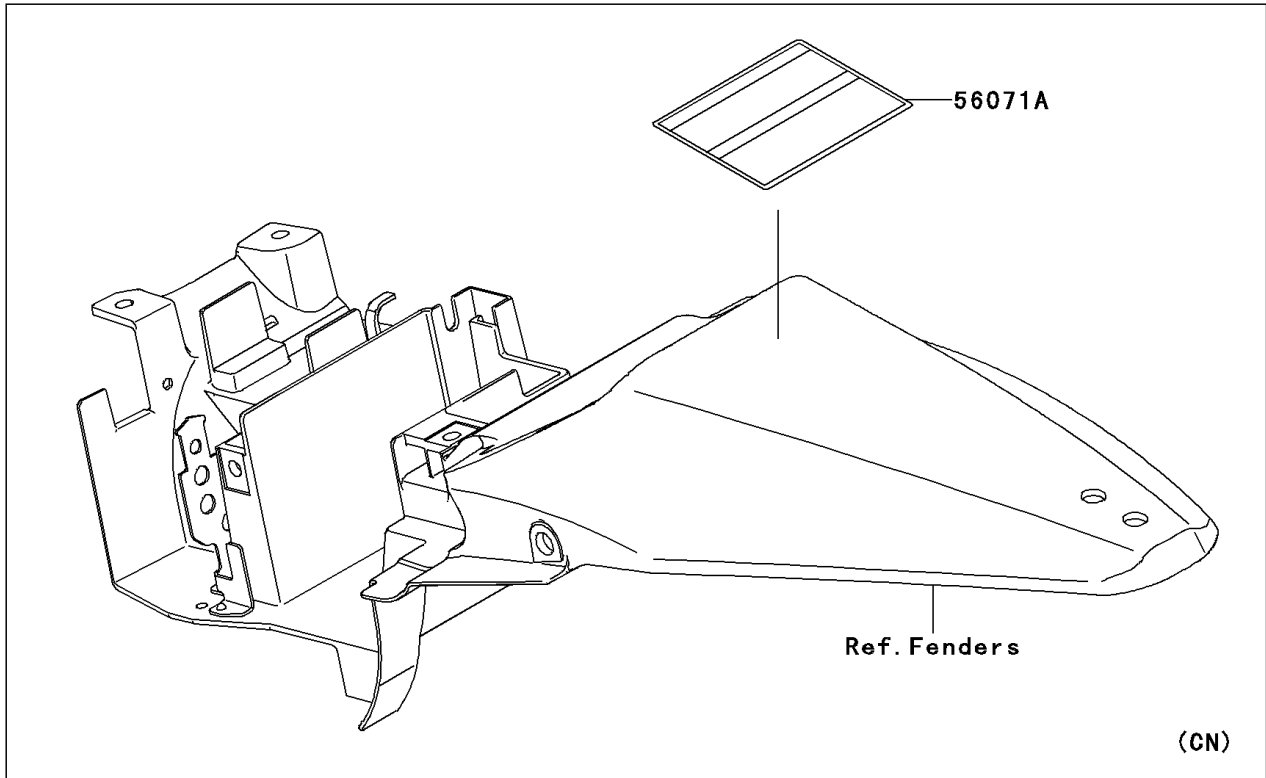
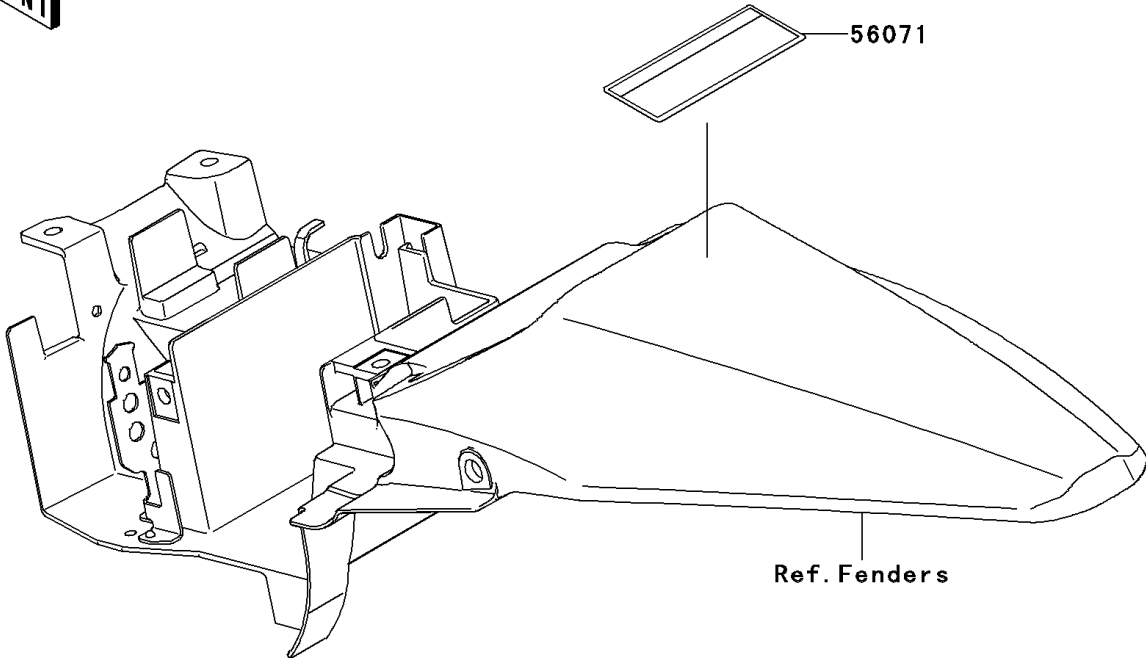


2014 KLX[®]110 PARTS DIAGRAM

Labels

F2860



2014 KLX®110 PARTS LIST

Labels

ITEM NAME	PART NUMBER	QUANTITY
LABEL-WARNING,OFF LOAD ONLY (Ref # 56071)	56071-0019	1
LABEL-WARNING,OFF LOAD ONLY (Ref # 56071A)	56071-0020	1