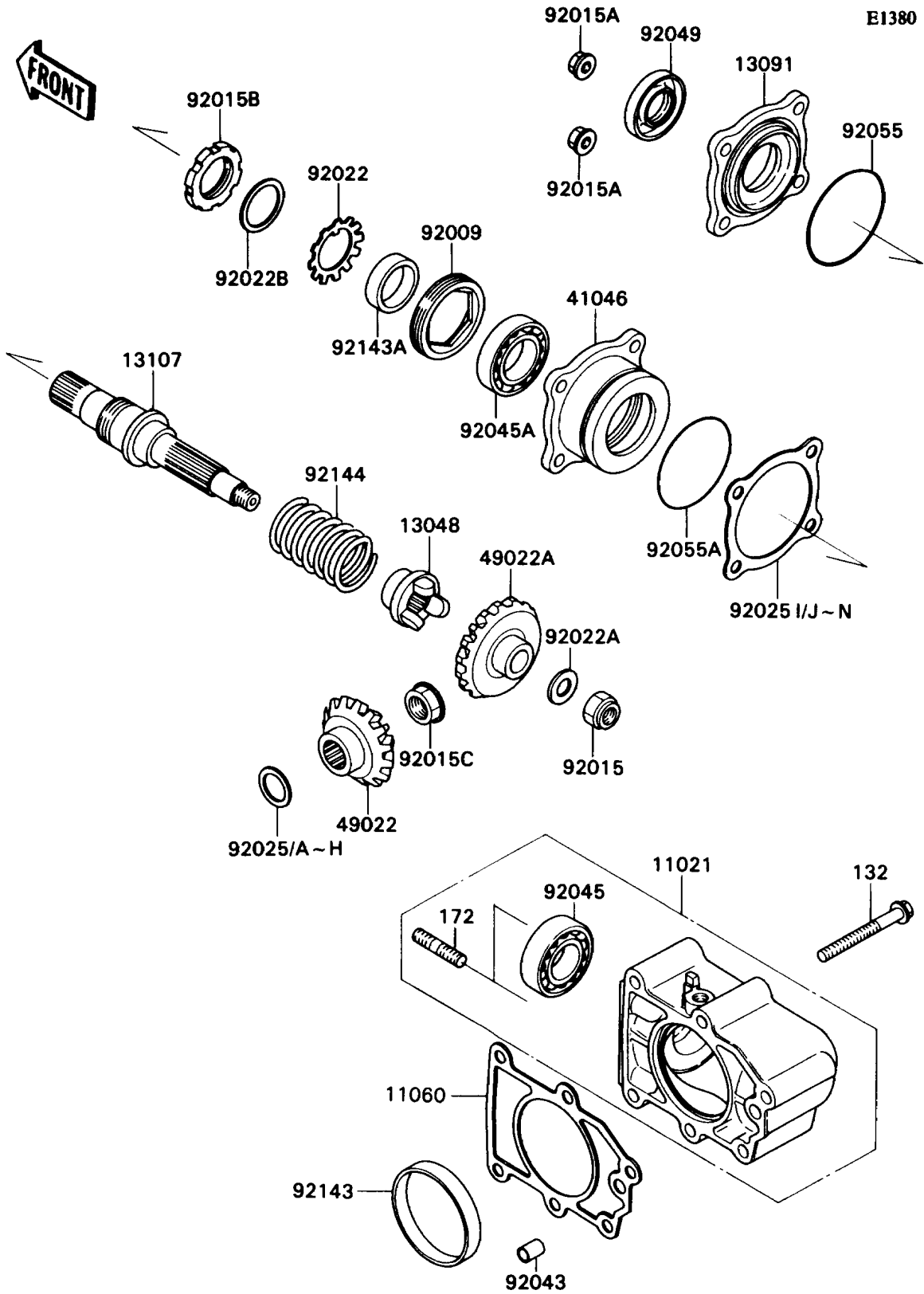


Mule 2010 PARTS DIAGRAM

Particular



Mule 2010 PARTS LIST

Particular

ITEM NAME	PART NUMBER	QUANTITY
CASE-ASSY,4WD (Ref # 11021)	11021-1074	1
GASKET,GEAR CASE (Ref # 11060)	11060-1245	1
CAM-DAMPER (Ref # 13048)	13048-1070	1
HOLDER,GEAR CASE (Ref # 13091)	13091-1620	1
SHAFT (Ref # 13107)	13107-1262	1
HOUSING-BEARING (Ref # 41046)	41046-1083	1
GEAR-BEVEL,15T (Ref # 49022)	49022-1095	1
GEAR-BEVEL,18T (Ref # 49022A)	49022-1096	1
SCREW (Ref # 92009)	92009-1474	1
NUT,LOCK,12MM,BLACK (Ref # 92015)	92015-1190	1
NUT,FLANGED,8MM (Ref # 92015A)	92015-1406	4
NUT,PUMP GEAR,30MM (Ref # 92015B)	92015-1511	1
NUT (Ref # 92015C)	92015-1581	1
WASHER (Ref # 92022)	92022-1882	1
WASHER,12X24X2.3 (Ref # 92022A)	92022-1890	1
WASHER,30.3X38X0.5 (Ref # 92022B)	92022-1987	1
SHIM,20.3X28X1.3 (Ref # 92025)	92025-1533	AR
SHIM,20.3X28X0.7 (Ref # 92025A)	92025-1534	AR
SHIM,20.3X28X0.8 (Ref # 92025B)	92025-1535	AR
SHIM,20.3X28X0.9 (Ref # 92025C)	92025-1536	AR
SHIM,20.3X28X1.0 (Ref # 92025D)	92025-1537	AR
SHIM,20.3X28X1.2 (Ref # 92025E)	92025-1538	AR
SHIM,20.3X28X0.15 (Ref # 92025F)	92025-1573	AR
SHIM,20.3X28X0.20 (Ref # 92025G)	92025-1574	AR
SHIM,20.3X28X1.1 (Ref # 92025H)	92025-1575	AR
SHIM,T=1.00 (Ref # 92025I)	92025-1858	AR
SHIM,T=0.10 (Ref # 92025J)	92025-1859	AR
SHIM,T=0.15 (Ref # 92025K)	92025-1860	AR
SHIM,T=0.50 (Ref # 92025L)	92025-1861	AR

Mule 2010 PARTS LIST

Particular

ITEM NAME	PART NUMBER	QUANTITY
SHIM,T=0.80 (Ref # 92025M)	92025-1862	AR
SHIM,T=1.20 (Ref # 92025N)	92025-1863	AR
PIN,DOWEL,10X14 (Ref # 92043)	92043-1037	1
BEARING-BALL (Ref # 92045)	92045-1200	1
BEARING-BALL,6006CM (Ref # 92045A)	92045-1201	1
SEAL-OIL (Ref # 92049)	92049-1288	1
RING-O,66.5MM (Ref # 92055)	92055-1287	1
RING-O,63MM (Ref # 92055A)	92055-1294	1
COLLAR,66X70X11 (Ref # 92143)	92143-1120	1
COLLAR (Ref # 92143A)	92143-1121	1
SPRING (Ref # 92144)	92144-1161	1
BOLT-FLANGED-SMALL (Ref # 132)	132H0870	6
BOLT-STUD,8X25 (Ref # 172)	172G0825	4