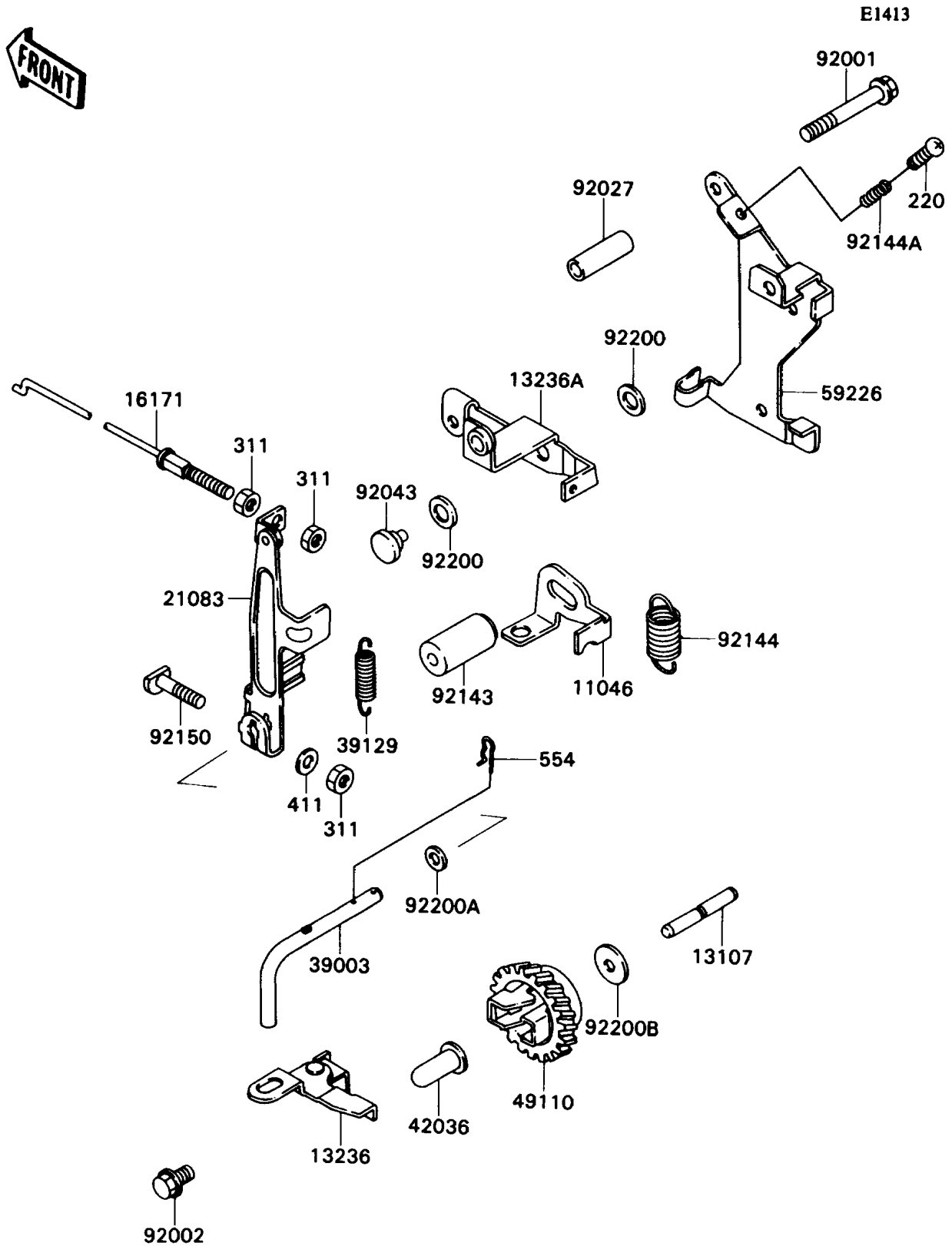


Mule 2010 PARTS DIAGRAM

Governor



Mule 2010 PARTS LIST

Governor

| ITEM NAME | PART NUMBER | QUANTITY |
|------------------------------------|-------------|----------|
| BRACKET (Ref # 11046) | 11046-1857 | 1 |
| SHAFT (Ref # 13107) | 13107-2235 | 1 |
| LEVER-COMP (Ref # 13236) | 13236-1197 | 1 |
| LEVER-COMP,CONTROL (Ref # 13236A) | 13236-1201 | 1 |
| LINK,CARBURETOR (Ref # 16171) | 16171-1056 | 1 |
| ARM (Ref # 21083) | 21083-1080 | 1 |
| ARM-PIVOT (Ref # 39003) | 39003-1051 | 1 |
| SPRING-GOVERNOR (Ref # 39129) | 39129-1004 | 1 |
| SLEEVE (Ref # 42036) | 42036-2060 | 1 |
| GOVERNOR-ASSY (Ref # 49110) | 49110-2067 | 1 |
| PANEL-CONTROL (Ref # 59226) | 59226-1054 | 1 |
| BOLT,FLANGED,6X52 (Ref # 92001) | 92001-1353 | 3 |
| BOLT,6X12 (Ref # 92002) | 92002-1572 | 1 |
| COLLAR,6.5X10.5X33 (Ref # 92027) | 92027-1222 | 2 |
| PIN (Ref # 92043) | 92043-1432 | 1 |
| COLLAR (Ref # 92143) | 92143-1372 | 1 |
| SPRING,CONTROL (Ref # 92144) | 92144-1410 | 1 |
| SPRING (Ref # 92144A) | 92144-2266 | 1 |
| BOLT,6X28 (Ref # 92150) | 92002-2269 | 1 |
| WASHER,8.5X17X0.8 (Ref # 92200) | 92022-2216 | 2 |
| WASHER,6.5X11.5X2.0 (Ref # 92200A) | 92200-2029 | 1 |
| WASHER,6.2X20X0.5 (Ref # 92200B) | 92200-2036 | 1 |
| SCREW-PAN-CROS (Ref # 220) | 220B0522 | 1 |
| NUT-HEX,6MM (Ref # 311) | 311B0600 | 3 |
| WASHER-PLAIN,6MM (Ref # 411) | 411B0600 | 1 |
| PIN-SNAP (Ref # 554) | 554A0600 | 1 |