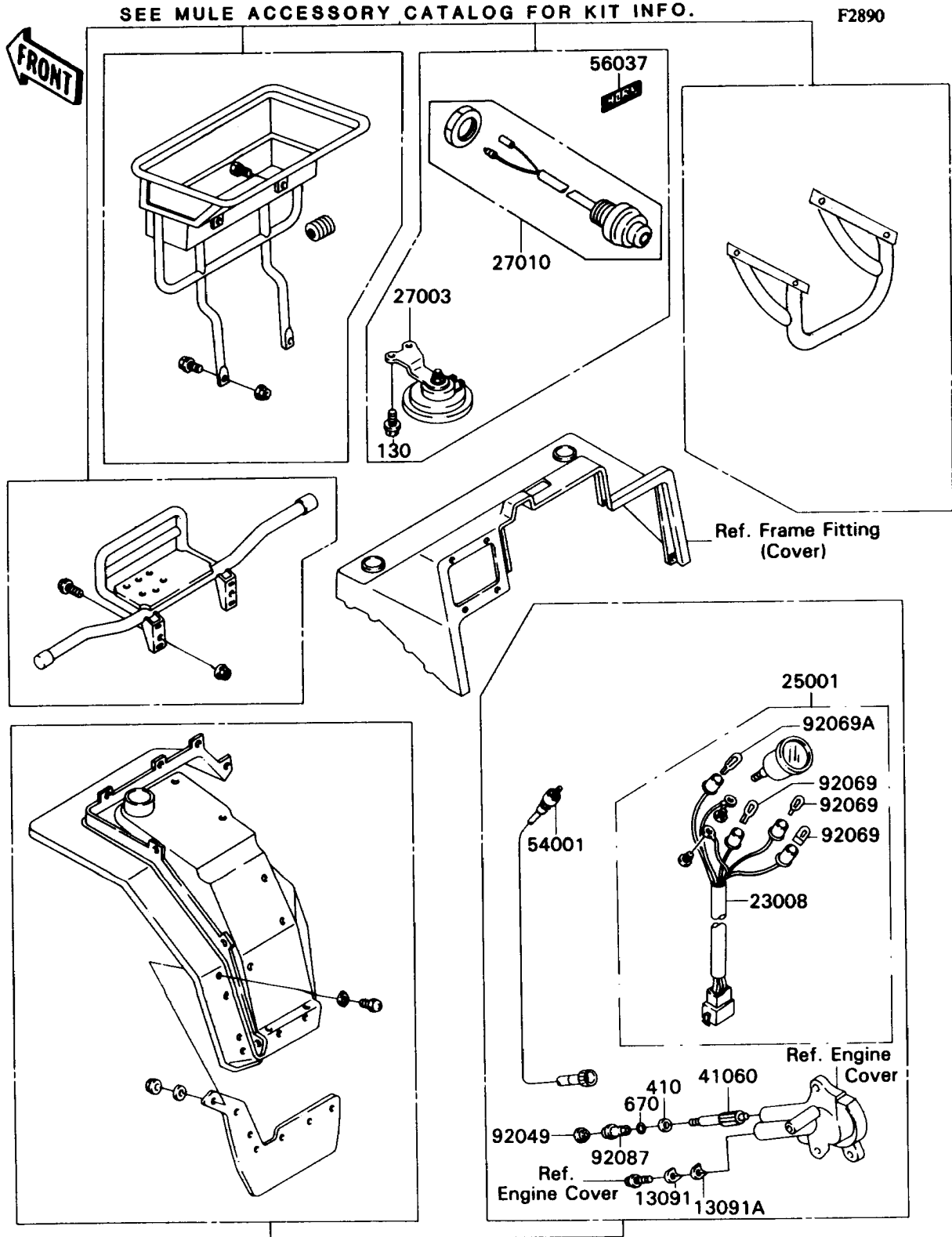


Mule 2010 PARTS DIAGRAM

Optional Parts(Front)



Mule 2010 PARTS LIST

Optional Parts(Front)

ITEM NAME	PART NUMBER	QUANTITY
HOLDER,TACHOMETER,T=2.3 (Ref # 13091)	13091-1008	1
HOLDER,TACHOMETER,T=3.2 (Ref # 13091A)	13091-1009	1
SOCKET-ASSY,METER (Ref # 23008)	23008-1355	1
METER-ASSY,MPH (Ref # 25001)	25001-1706	1
HORN (Ref # 27003)	27003-1317	1
SWITCH,HORN (Ref # 27010)	27010-1241	1
GEAR-METER SCREW (Ref # 41060)	41060-1120	1
CABLE-SPEEDOMETER (Ref # 54001)	54001-1135	1
LABEL-SPECIFICATION,HORN (Ref # 56037)	56037-1411	1
SEAL-OIL (Ref # 92049)	92050-075	1
BULB,12V 3.4W (Ref # 92069)	92069-1007	3
BULB,12V 1.7W (Ref # 92069A)	92069-1059	1
BUSHING-METER GEAR,TACHOMETER (Ref # 92087)	92087-010	1
BOLT-FLANGED,6X10 (Ref # 130)	130B0610	2
WASHER-PLAIN-SMALL,6MM (Ref # 410)	410B0600	1
O RING,10MM (Ref # 670)	670D1510	1