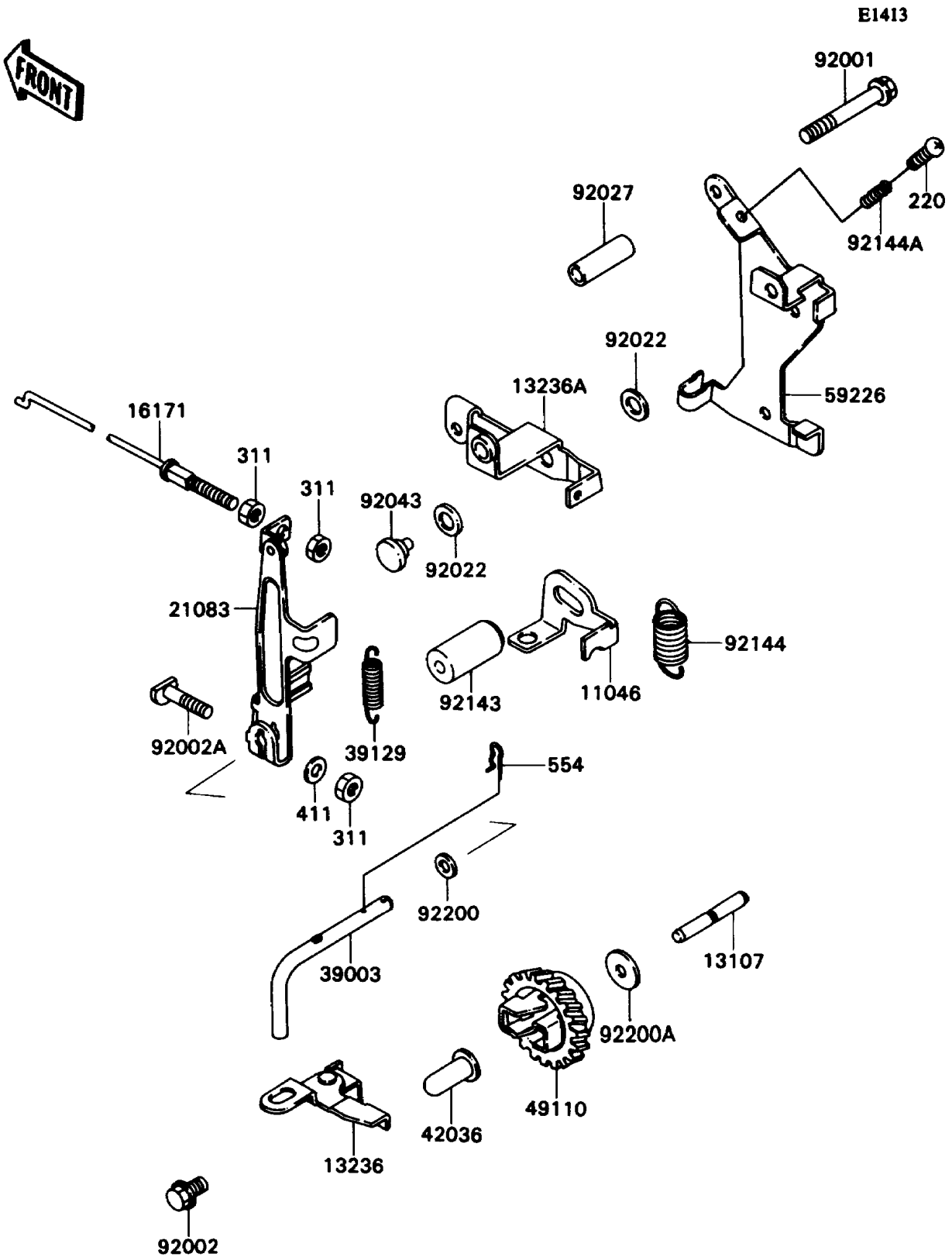


# Mule 2020 PARTS DIAGRAM

Governor



# Mule 2020 PARTS LIST

## Governor

ITEM NAME	PART NUMBER	QUANTITY
BRACKET (Ref # 11046)	11046-1857	1
SHAFT (Ref # 13107)	13107-2235	1
LEVER-COMP (Ref # 13236)	13236-1197	1
LEVER-COMP,CONTROL (Ref # 13236A)	13236-1201	1
LINK,CARBURETOR (Ref # 16171)	16171-1056	1
ARM (Ref # 21083)	21083-1080	1
ARM-PIVOT (Ref # 39003)	39003-1051	1
SPRING-GOVERNOR (Ref # 39129)	39129-1005	1
SLEEVE (Ref # 42036)	42036-2060	1
GOVERNOR-ASSY (Ref # 49110)	49110-2067	1
PANEL-CONTROL (Ref # 59226)	59226-1054	1
BOLT,FLANGED,6X52 (Ref # 92001)	92001-1353	3
BOLT,6X12 (Ref # 92002)	92002-1572	1
BOLT,6X28 (Ref # 92002A)	92002-2269	1
WASHER,8.5X17X0.8 (Ref # 92022)	92022-2216	2
COLLAR,6.5X10.5X33 (Ref # 92027)	92027-1222	2
PIN (Ref # 92043)	92043-1432	1
COLLAR (Ref # 92143)	92143-1372	1
SPRING,CONTROL (Ref # 92144)	92144-1410	1
SPRING (Ref # 92144A)	92144-2266	1
WASHER,6.5X11.5X2.0 (Ref # 92200)	92200-2029	1
WASHER,6.2X20X0.5 (Ref # 92200A)	92200-2036	1
SCREW-PAN-CROS (Ref # 220)	220B0522	1
NUT-HEX,6MM (Ref # 311)	311B0600	3
WASHER-PLAIN,6MM (Ref # 411)	411B0600	1
PIN-SNAP (Ref # 554)	554A0600	1