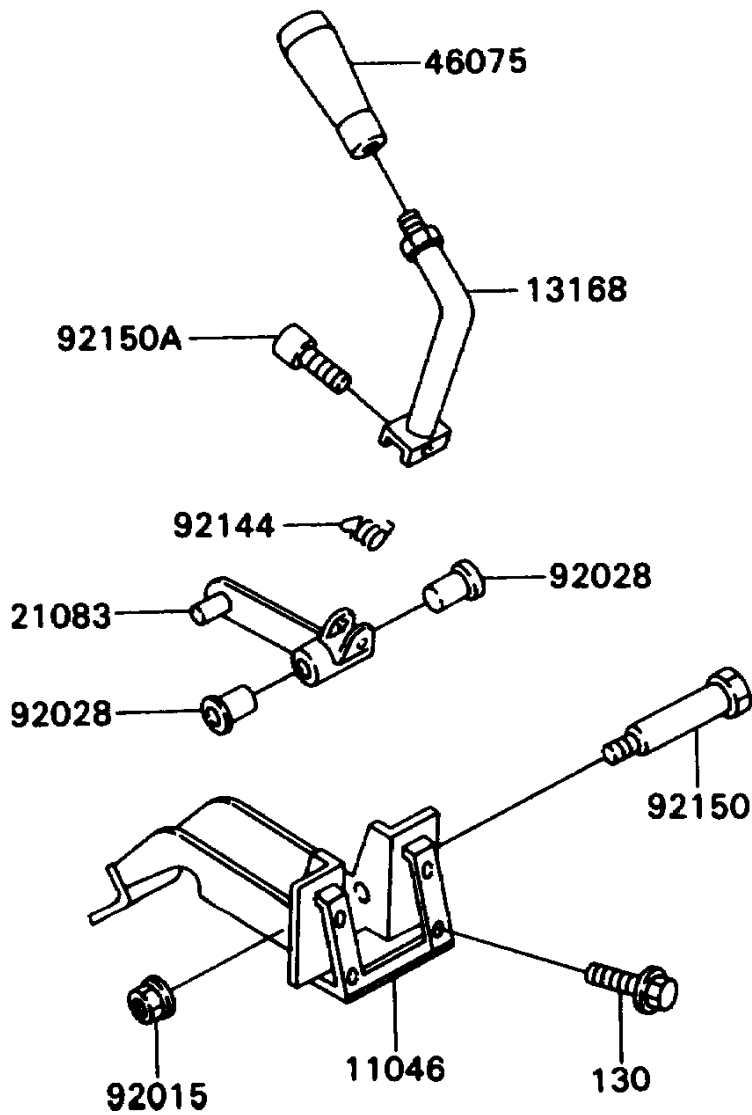


Mule 2030 PARTS DIAGRAM

Frame Fitting(Lever)

F2131A



Mule 2030 PARTS LIST

Frame Fitting(Lever)

| ITEM NAME | PART NUMBER | QUANTITY |
|------------------------------------|-------------|----------|
| BRACKET,SHIFT LEVER (Ref # 11046) | 11046-1677 | 1 |
| LEVER,SHIFT (Ref # 13168) | 13168-1440 | 1 |
| ARM,SHIFT LEVER (Ref # 21083) | 21083-1085 | 1 |
| GRIP,SHIFT LEVER (Ref # 46075) | 46075-1075 | 1 |
| NUT,LOCK,FLANGED,6MM (Ref # 92015) | 92015-1675 | 2 |
| BUSHING (Ref # 92028) | 92028-1507 | 2 |
| SPRING (Ref # 92144) | 92144-1175 | 1 |
| BOLT (Ref # 92150) | 92002-1984 | 1 |
| BOLT,SOCKET,6X35 (Ref # 92150A) | 92150-1393 | 1 |
| BOLT-FLANGED,6X12 (Ref # 130) | 130C0612 | 4 |